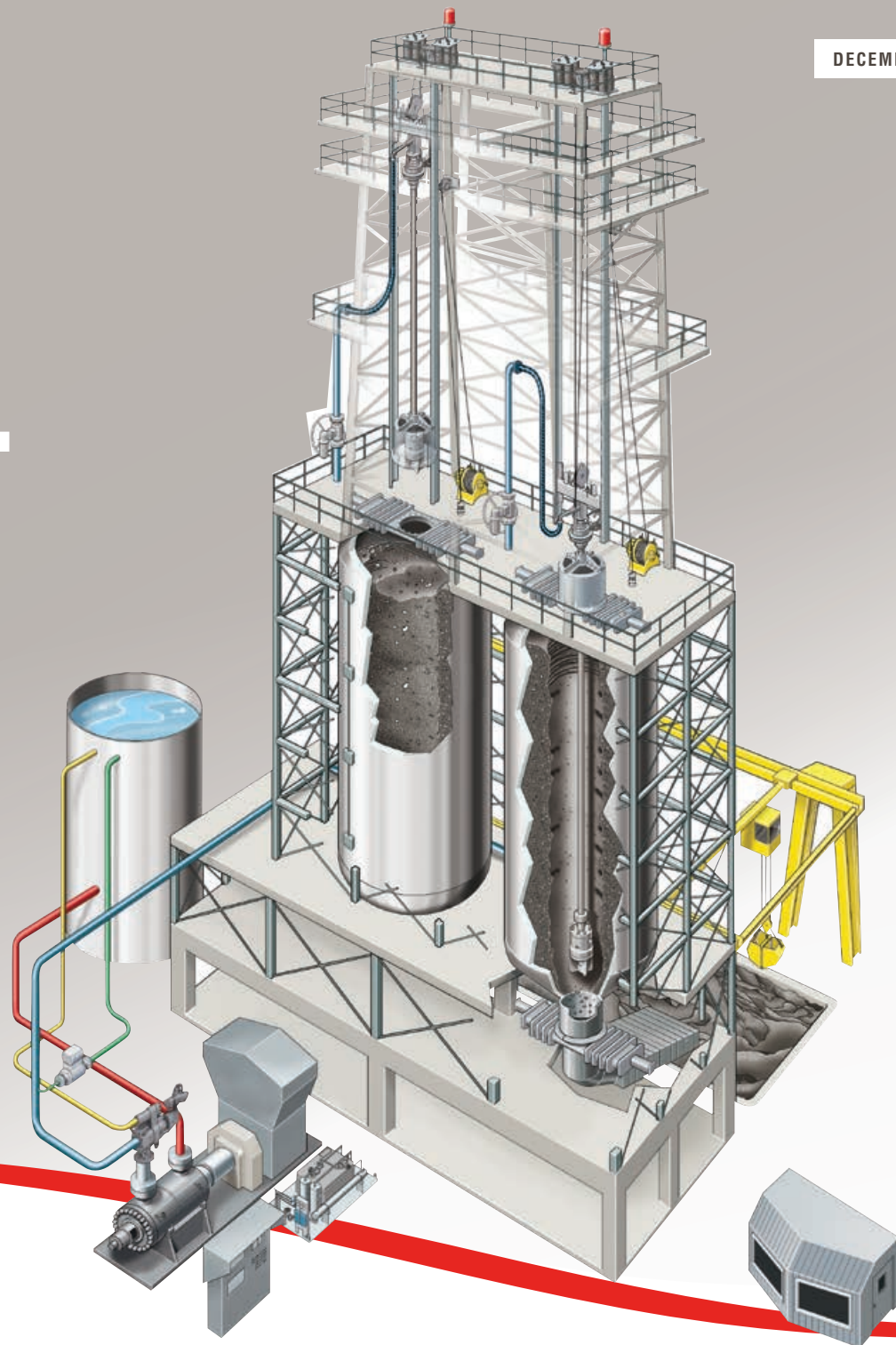


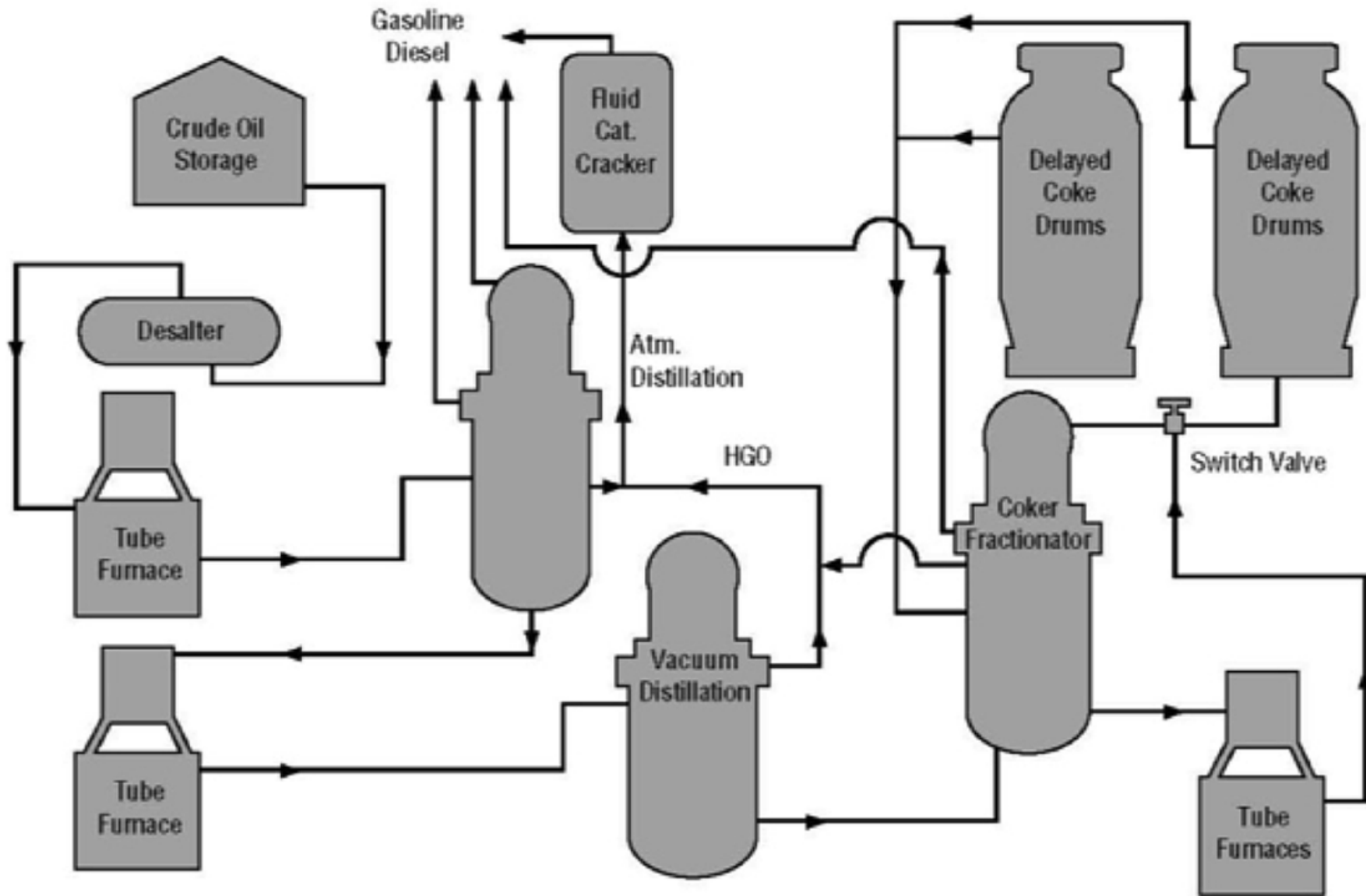
Process Flow Diagrams

DELAYED COKER UNIT

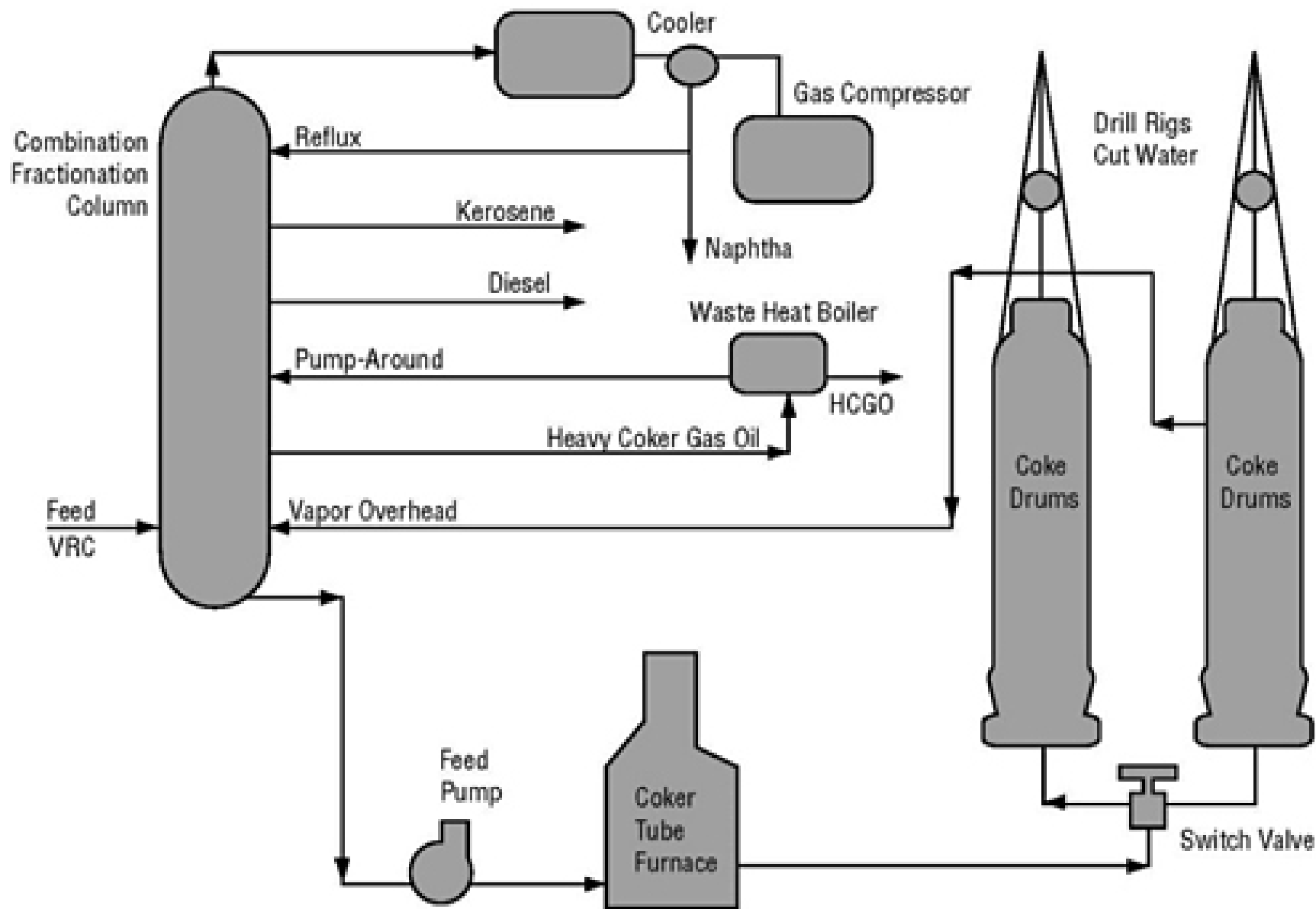


Experience In Motion

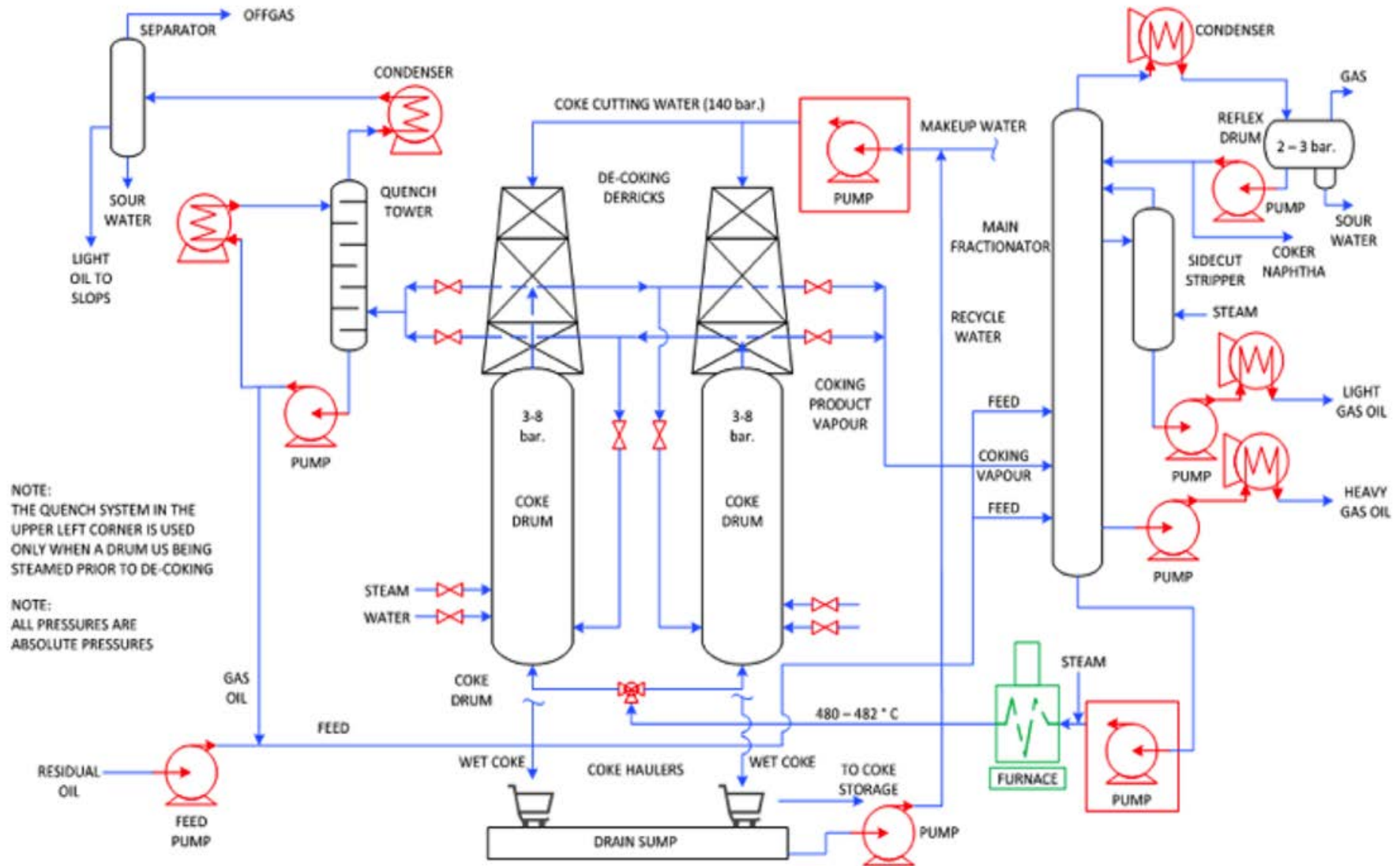
Simplified refining process with delayed coke drums



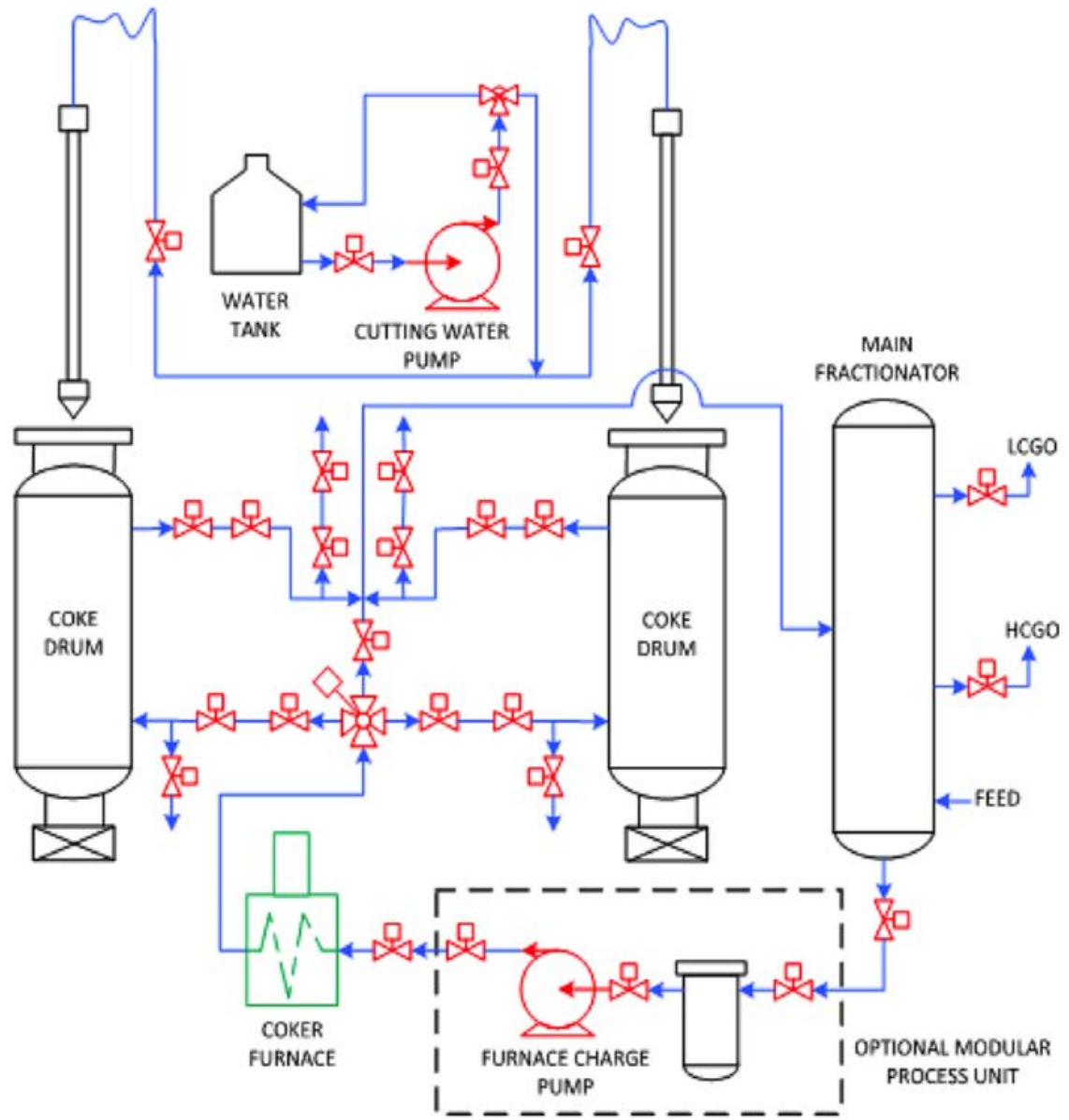
Delayed coking unit vapor recovery simplified process



Typical process flow diagram with critical pumps



Typical process flow diagram with critical control valves





North America

Latin America

Europe

Middle East

Africa

Asia-Pacific

Flowserve Corporation
5215 North O'Connor Boulevard
Suite 2300
Irving, Texas 75039
flowserve.com

Experience In Motion

FLS-1009a-Diagrams (E/AQ) ASG-DCU, December 2019 © 2019 Flowserve Corporation. All rights reserved. Kämmer, Logix, NAF, Valbart, Valtek, Flowserve, and the Flowserve design are registered marks of Flowserve Corporation. All other marks are the property of their respective owners.