

AXCL Series Explosion-Proof UltraSwitch™

Introduction:

The AXCL Series UltraSwitch™ is a globally certified explosion-proof/flame-proof position indicator. The AXCL features *Quick-Set™* cams for easy, tool-free adjustment of sensing position. The UltraDome™ visual indicator provides for clear position viewing, while a lower assembly profile can be achieved with a flat-top enclosure. Many switch options can be installed to meet specific application needs. Each integral switch is pre-wired to a multi-point terminal block. A minimum of two spare terminals are provided for external accessories to eliminate costly junction boxes. The enclosure includes two 3/4" N.P.T. conduit entries for easy wiring access.



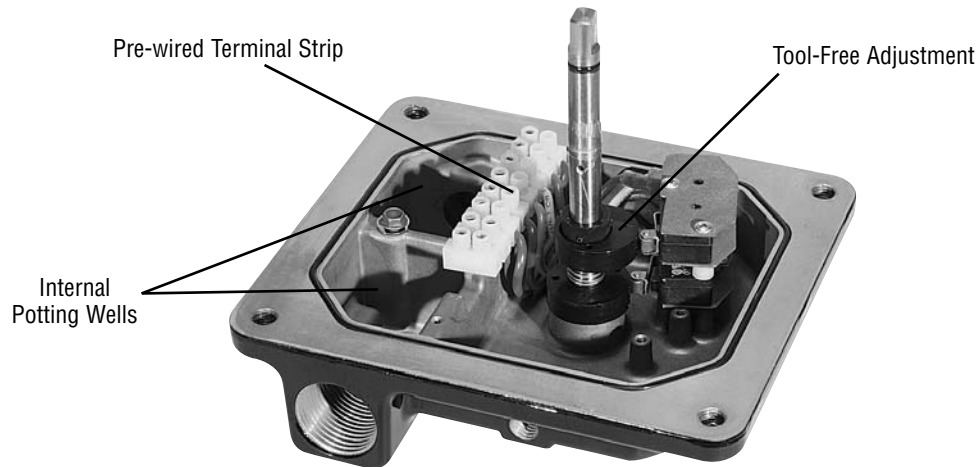
Applications:

The AXCL enclosure is designed to provide accurate and reliable hazardous location position signaling. Many switch options are available to meet your electrical specifications. This watertight position indicator will mount to any rack and pinion, scotch yoke, vane or other rotary actuator type.

The AXCL may be installed on any actuator conforming to the NAMUR standard for accessory mounting bolt pattern and pinion height without a coupler. This reduces deadband and is less expensive. Accord Controls also offers a full line of mounting hardware for non-NAMUR actuators.

Durable aluminum construction and corrosion-resistant materials/coatings provide protection against the toughest applications in all process industries including:

1. Chemical and Petrochemical
2. Power
3. Food and Beverage
4. Pharmaceutical
5. Municipal and Wastewater Treatment

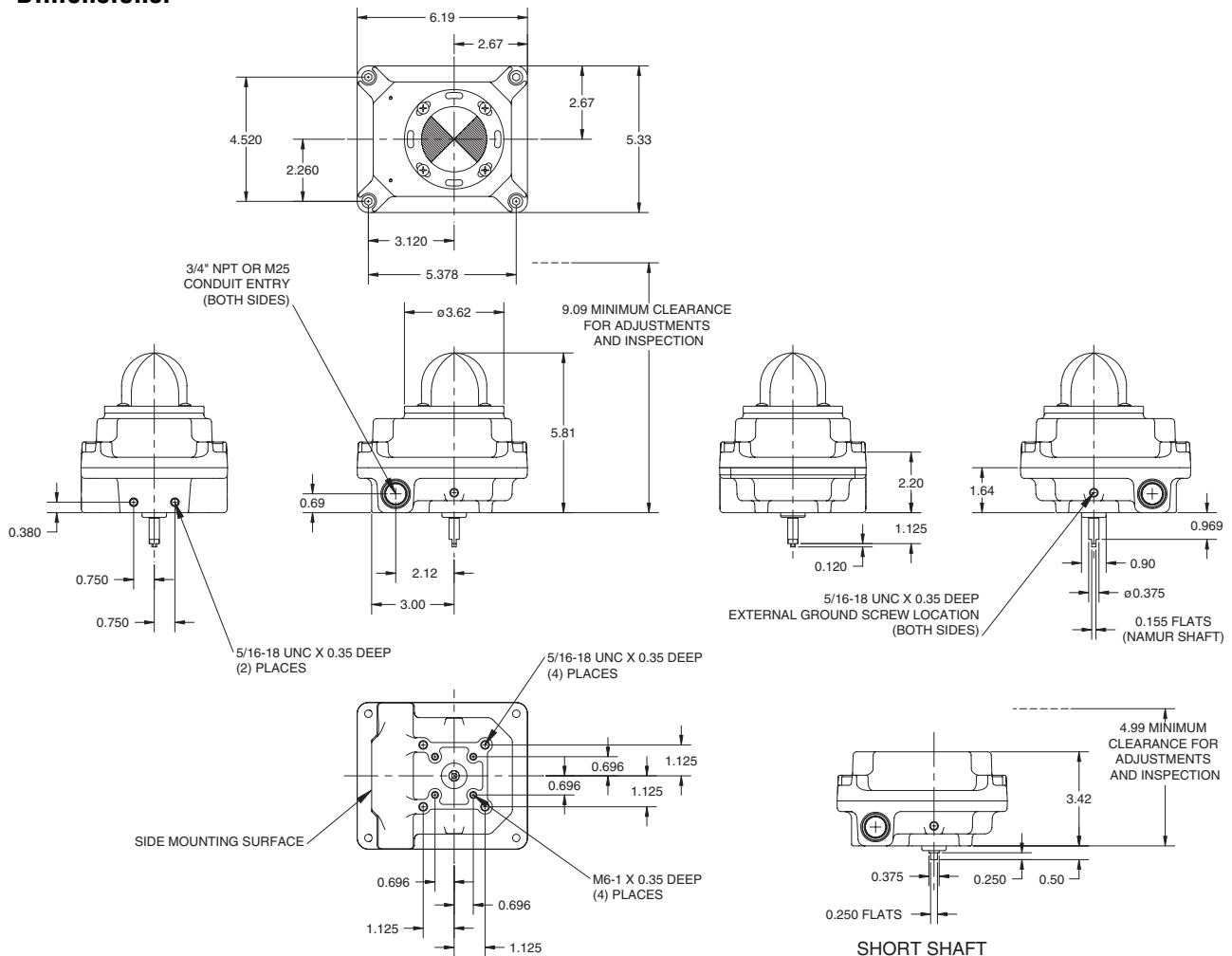
**Features:**

1. **Quick-Set Cams.** Tool free adjustment of switch trip point is accomplished simply by pushing or pulling the cam and rotating it to the new position. Cams are spring-loaded and splined to maintain switch setting in any installed position. They are fully adjustable through 360° in 4° increments.
2. **Corrosion Resistant Materials.** All exposed parts are either stainless steel or aluminum treated with dichromate undercoat and polyester powder top coat to permit use in corrosive environments.
3. **Captive Cover Screws** permit calibration without potential for losing screws.
4. Optional **UltraDome Visual Position Indicator** provides adjustable, high-contrast, full-angle viewing of valve position.
5. Numbered, pre-wired multi-point **Terminal Strip** for easy hookup. Two spare terminals are provided with every switch to accommodate additional field devices, such as solenoid valves, to eliminate the cost of any additional junction boxes.
6. Each UltraSwitch™ enclosure includes a **Detailed Wiring Diagram** permanently attached inside the cover.
7. **Internal Grounding Screw** for ground wire hookup.
8. **Internal Potting Wells.** Within the housing at the conduit entries are two potting wells available for factory-sealed leads. Designed to U.L. and CSA specifications, they eliminate the need for costly conduit seals.
9. **Globally certified** (UL/CSA/ATEX) explosion-proof and flame-proof enclosures suitable for use throughout the world.

Materials of Construction:

Part	Materials
Housing/Cover	Aluminum w/Dichromate & Powdercoat
Shaft	Stainless Steel
Cams/Splines	Nylon
UltraDome and Rotor	Polycarbonate
Terminal Block	Nylon - Buchanan TBS Series
Internal Brackets	Stainless Steel or Plated Steel
All Internal Fasteners	Stainless Steel or Plated Steel
All External Fasteners	Stainless Steel

Dimensions:



Flowserve Corporation
 Flow Control Division

 1350 N. Mountain Springs Parkway
 Springville, Utah 84663-3004
 www.flowserve.com



 Phone: 801 489 2234
 Facsimile: 801 489 2228

Principles of Operation:

The AXCL Series UltraSwitch™ is designed for use with any industrial rotary actuator in hazardous locations. It indicates open and closed valve positions by completing electrical circuits to remote locations. The AXCL series may include an analog feedback device to indicate continuous position for modulating packages. Local visual indication is accomplished with the UltraDome Rotary Indicator.

Hazardous Location Approvals:
Mechanical Switch Options

Explosion-Proof (UL/CSA/ATEX)
 Class 1, Divisions 1 and 2, Groups C and D
 Class 2, Divisions 1 and 2, Groups E, F and G
 ATEX II 2 GD EEx d IIB T4-T6

 0518  II 2 GD EEx d IIB T4-T6
 -40°C ≤ Tamb ≤ +55°C, T6
 -40°C ≤ Tamb ≤ +70°C, T5
 -40°C ≤ Tamb ≤ +80°C, T4

Proximity / Solid State Switch Options (except NJ)

Explosion-Proof (UL/CSA/ATEX)
 Class 1, Division 1 and 2, Groups C and D
 Class 1, Division 2 only, Groups A, B, C and D
 Class 2, Divisions 1 and 2, Groups E, F and G
 ATEX II 2 GD EEx d IIB T4-T6

How To Order Guide:

Shaft Option	Model	Indicator Option	No. Switches	Switch Type
AD - Double D Shaft (1/4" Flats) AN - NAMUR Shaft	XCL - (2) 3/4" NPT Conduit XML - (2) M25 Conduit	I - Flat Top (no indicator) U - Red/Green (std) C - 90° 3-way D - 180° 3-way E - 180° 3-way Blocked Center K - Ektar Red/Green H - Black/Gray/Yellow R - Reverse (Red = Open, Green = Closed)	0 - 0 Switch 1 - 1 Switch 2 - 2 Switches 4 - 4 Switches	00 - No Switches M1 - SPDT Mechanical MG - SPDT Gold Mechanical MA - 3-Position Control M3 - DPDT Mechanical MD - DA 3-Position Control w/Indication MS - SR 3-Position Control w/Indication P4 - SPST Proximity P5 - SPDT Proximity PE - SPDT Sabre PP - SPDT Phazer PT - SPST BRS N8 - P+F NJ2-V3-N FZ - AS-i Fieldbus
Certifications		Analog Output Options		Wiring Options
- 14 - General Purpose - 18 - UL/CSA/ATEX Explosion-Proof - 19 - ATEX Explosion-Proof - M1 - Metal Nameplate UL/CSA/ATEX Explosion-Proof (Mechanical Switch) - M2 - Metal Nameplate UL/CSA/ATEX Explosion-Proof (Proximity Switch) - M3 - Metal Nameplate ATEX Explosion-Proof		- 0 - None (std) - T - 4-20 mA Transmitter - D - 180° 4-20 mA Transmitter - A - 0-1k Ohm Potentiometer - B - 0-5k Ohm Potentiometer - C - 0-10k Ohm Potentiometer		0 - None (std) H - Heavy Duty Terminal Strip
Open Terminals (Minimum)	Special Options	Coating Options		
2 - 2 open (std) 4 - 4 open 6 - 6 open	0 - None (std) P - 180° Potentiometer Gearing V - Viton O-rings	0 - Black Polyester Powdercoat (std) E - White Epoxy		

Example: ANXCLU2M1-18-00200 = Accord AXCL UltraSwitch, NAMUR Shaft, UltraDome indicator, (2) SPDT Mechanical switches, FM/CSA and ATEX certifications.