

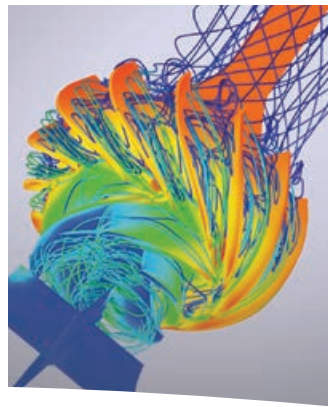


# ***Lawrence Pumps® VPL1700 Multistage Vertical Toxic Liquid Pump***

Mechanical and Hydraulic Upgrades



***Experience In Motion***



## ***Pump Supplier to the World***

*Flowserve is the driving force in the global industrial pump marketplace. No other pump company in the world has the depth or breadth of expertise in the successful application of pre-engineered, engineered, and special purpose pumps and systems.*

### ***Life Cycle Cost Solutions***

Flowserve provides pumping solutions that permit customers to reduce total life cycle costs and improve productivity, profitability and pumping system reliability.

### ***Market-Focused Customer Support***

Product and industry specialists develop effective proposals and solutions directed toward market and customer preferences. They offer technical advice and assistance throughout each stage of the product life cycle, beginning with the initial inquiry.

### ***Broad Product Lines***

Flowserve offers a wide range of complementary pump types, from pre-engineered process pumps to highly engineered and special purpose pumps and systems. Pumps are built to recognized global standards and customer specifications.

Pump designs include:

- Single-stage process
- Between bearings single-stage
- Between bearings multistage
- Vertical
- Submersible motor
- Positive displacement
- Nuclear
- Specialty

### ***Product Brands of Distinction***

*ACEC™ Centrifugal Pumps*

*Aldrich™ Pumps*

*Byron Jackson® Pumps*

*Calder™ Energy Recovery Devices*

*Cameron™ Pumps*

*Durco® Process Pumps*

*Flowserve® Pumps*

*IDP® Pumps*

*INNOMAG® Sealless Pumps*

*Lawrence Pumps®*

*Niigata Worthington™ Pumps*

*Pacific® Pumps*

*Pleuger® Pumps*

*Scienco™ Pumps*

*Sier-Bath® Rotary Pumps*

*TKL™ Pumps*

*United Centrifugal® Pumps*

*Western Land Roller™ Irrigation Pumps*

*Wilson-Snyder® Pumps*

*Worthington® Pumps*

*Worthington Simpson™ Pumps*

**Lawrence Pumps VPL1700**  
**Multistage Vertical Toxic**  
**Liquid Pump**

## VPL1700

*The Flowserve VPL1700 pump is a vertical, top tank entry, bottom suction, toxic liquid pump.*

### **Applications**

- Chlorine
- Anhydrous hydrogen cyanide
- Phosgene
- Bromine
- Sulfur trioxide
- Other toxic liquids

### **Typical Operating Parameters**

- Flows to 182 m<sup>3</sup>/h (800 gpm)
- Heads to 244 m (800 ft)
- Temperatures from -51°C (-60°F) to 52°C (125°F)

### **Complementary Pump Designs**

Flowserve also can provide the following complementary pumps:

VTP – vertical turbine, wet-pit pump

VPL3200 – cantilever dry-run capable

VPL3300 – cantilever volatile organic compounds

VPL3400 – molten salt transfer

VPL3500 – single-stage vertical lineshaft ISO 13709/API 610 (VS4) compliant

VPL3600 – vertical lineshaft, slurry impeller custom shaft, ISO 13709/API 610 (VS4) compliant



## VPL1700 Mechanical and Hydraulic Upgrades

With safety and reliability being of equal importance in the handling of toxic liquids, Flowserve offers upgrades that increase environmental and personnel safety during the production and distribution of toxic liquefied gases.

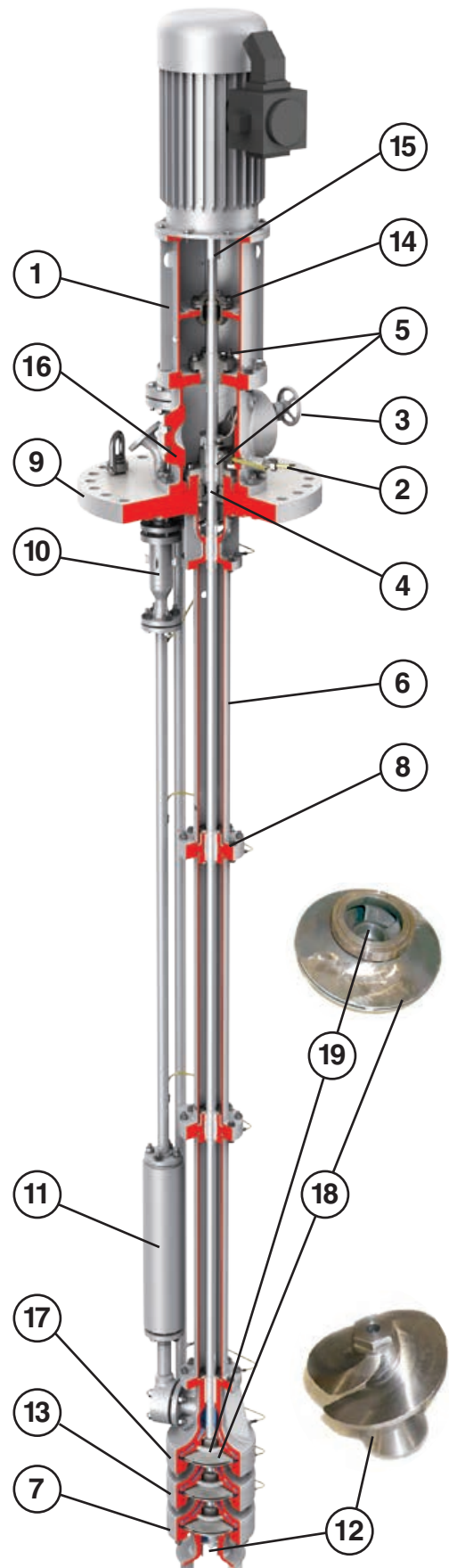
High-performance, cost-effective upgrades are available for Lawrence Pumps' complete line of VPL1700 vertical, top tank entry, bottom suction pumps. These upgrades increase operating reliability, reduce maintenance costs, and improve safety and performance.

### Shaft and Sealing System Upgrades

1. **Vibration Monitoring** — transducers and proximity probes sense any changes in the mechanical operation.
2. **Temperature Monitoring** — thermocouples or RTD's for the bearings, mechanical seal, sleeve bearings, lower seal chamber or packing box send a signal notifying the operator of an excessive temperature in these areas.
3. **Adjustable Gland Mechanism** — permits remote packing adjustment external to the process environment.
4. **Emergency Seal** — located below the lower sealing element, isolating the storage vessel from the atmosphere should a packing or mechanical seal failure occur. An additional isolation seal can be added as part of the bearing frame maintenance kit; see page 6.
5. **Gas Mechanical Seals** — to replace packing or older seals for energy savings, lowest level of buffer gas consumption and fewer emissions. The seals employ state of the art, non-contacting seal face geometry, for a new level of sealing reliability over a wide range of operating pressures. Gas mechanical seals provide the lowest fugitive emissions without complex piping, instrumentation or regulation.

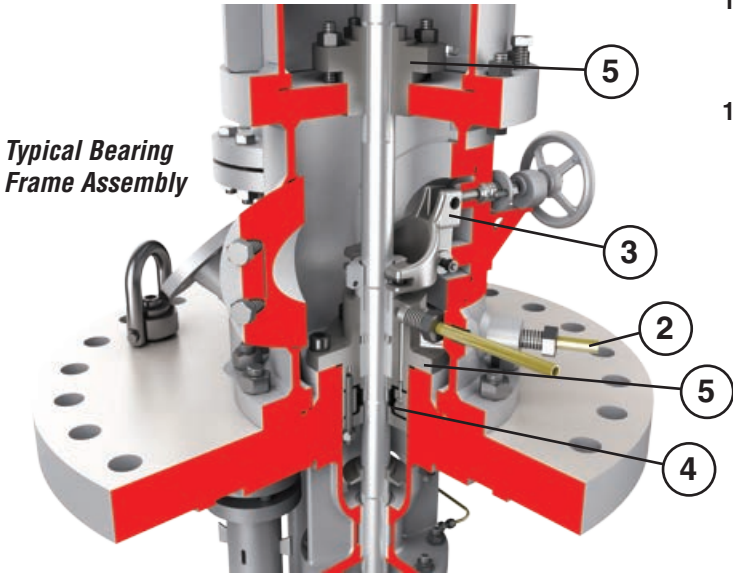
### Material and Arrangement Upgrades

6. **Overall Pump Length Changes and Additional Stages** — for increased head output to accommodate system changes and/or for alternate tank use.
7. **High Alloy Wet Ends** — for corrosion and/or erosion prevention, low temperature and resistance to sparking.
8. **Ceramic/Intermetallic Wear Components** — for applications requiring high heat dissipation or wear resistance due to lack of lubrication or solids being present.
9. **ASME Code Stamped Mounting Plate** — available for pressure and toxic services.

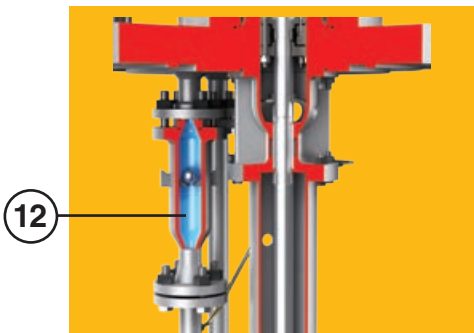


### Hydraulic Upgrades

- 10. **Excess Flow Check Valve** — stops the flow of toxic fluids should a line rupture occur outside the tank. A double-acting check valve can also be added for both excess and minimum flows. Check valves are also sold separately for systems handling dangerous toxic fluids.
- 11. **Surge Chamber** — absorbs the high-pressure shock wave (water-hammer) that occurs with the sudden closure of the check valve or system control valves. Surge chamber is designed for easy clean out.
- 12. **Inducer** — reduces the pump’s required submergence (NPSHA) by 35% to 50%, thus minimizing tank inventory levels.
- 13. **Higher Flow and Head Wet Ends** — that fit through the same tank nozzle are available for capacities of up to 136 m<sup>3</sup>/h (600 gpm) and heads up to 274 m (900 ft) on chlorine, 427 m (1400 ft) on water. New hydraulics can be developed to meet special operating conditions.



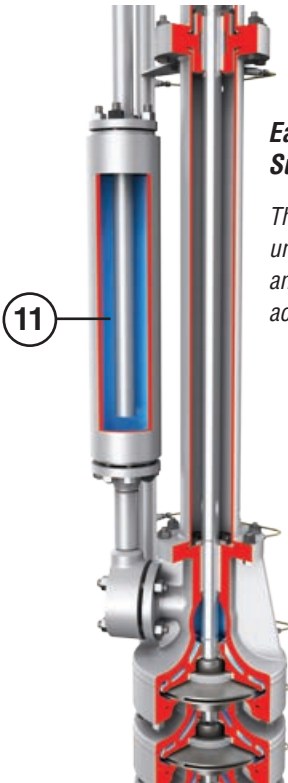
Typical Bearing Frame Assembly



Excess Flow Check Valve

### Reliability and Maintenance Upgrades

- 14. **Cartridge Thrust Bearing** — mounted on a sleeve to facilitate removal of seals and thrust bearings during rebuilds. Heavy-duty, anti-friction bearings operating in a well-protected bearing housing, providing an L10 life in excess of 25 000 hours.
- 15. **Dry Disc Spacer Coupling** — goes with the cartridge thrust bearing to facilitate bearing and seal removal. Spacer couplings are maintenance free, have low axial and bending stiffness, reducing the load on the pump and motor bearings.
- 16. **Compact Style Bearing Frame** — for use with new mechanical gas seals.
- 17. **Diffuser Style Casings** — balance the radial thrust around the circumference of the impeller. The radial load carried by the sleeve bearings is minimized. Confined, controlled compression gasketing for more positive sealing of stages.
- 18. **Wear Rings** — replaceable casing and impeller wear rings optimize efficiency and extend the life of critical components.
- 19. **Enclosed Impellers** — with sealing rings, allow variations in impeller clearances without affecting the overall hydraulic performance. Optional non-metallic and ceramic coated alloys are available for wear surfaces.



Easy Clean-Out Design Surge Chamber

This surge chamber design unbolts at both the top and bottom, allowing easy access for cleaning.

*Multiple  
Maintenance  
Upgrade  
Options  
Available*

*Lifting mechanism engaged in upper position*



*Lifting mechanism in lowered position*



## **VPL1700 Bearing Frame Maintenance Kit**

The VPL1700 upgrade kit allows access to the upper gas mechanical seal or upper packing and thrust bearing cartridge without decommissioning the tank to remove the pump for maintenance. A Flowserve representative will individually assess existing in-service pumps for this upgrade. This feature is also available on new pumps.

The kit consists of:

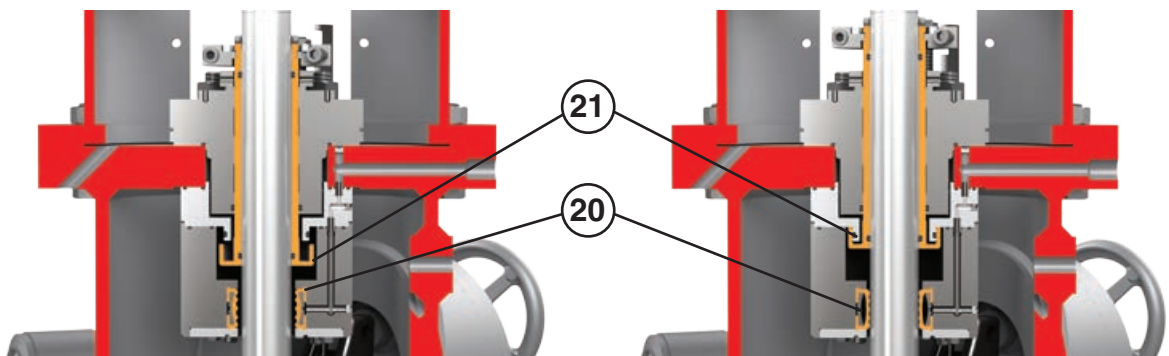
- 20. Isolation Seal** — this seal can be activated in series with the lower emergency seal to provide true redundancy.
- 21. Specialized Sleeve With Lifting Mechanism** — with the isolation seal engaged, the specialized sleeve is lifted into place, engaging an O-ring. This O-ring, in combination with a series of additional O-rings, creates a static seal that isolates the area above it from the process; maintenance can now be performed safely. A sleeve-lifting mechanism is utilized to operate this device.

### **Pressure Monitored**

The area under the sealing sleeve assembly can be safely purged to evacuate any trapped toxic gas and then re-pressurized with nitrogen. Monitoring this pressure to ensure it is maintained verifies the isolation seal is operating properly.

### **Ease of Operation**

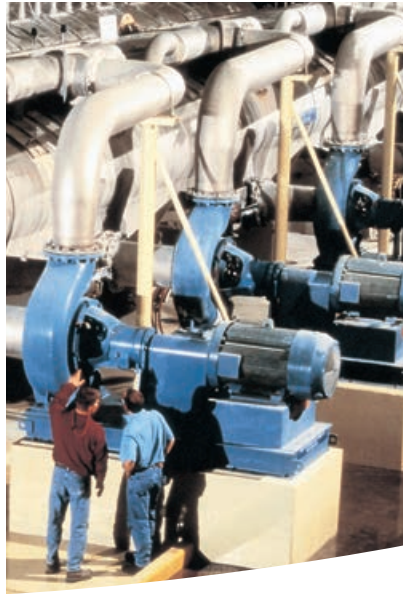
With the pump stopped, the lower and upper emergency seals are activated. A lifting mechanism is then installed and the specialized sleeve is lifted into place easily by turning a pair of nuts. These nuts force the lifting mechanism to raise and lock in place at the upper stop, shown in the images above. This sleeve is then lowered and the lifting mechanism removed from the shaft when returning the pump to operation.



**Isolation Seal and Sealing Sleeve in  
Deflated Position**

**Isolation Seal and Sealing Sleeve in  
Inflated Position**

**Global Service and Technical Support**



## Life Cycle Cost Solutions

Typically, 90% of the total life cycle cost (LCC) of a pumping system is accumulated after the equipment is purchased and installed. Flowserve has developed a comprehensive suite of solutions aimed at providing customers with unprecedented value and cost savings throughout the life span of the pumping system. These solutions account for every facet of life cycle cost, including:

**Capital Expenses**

- Initial purchase
- Installation

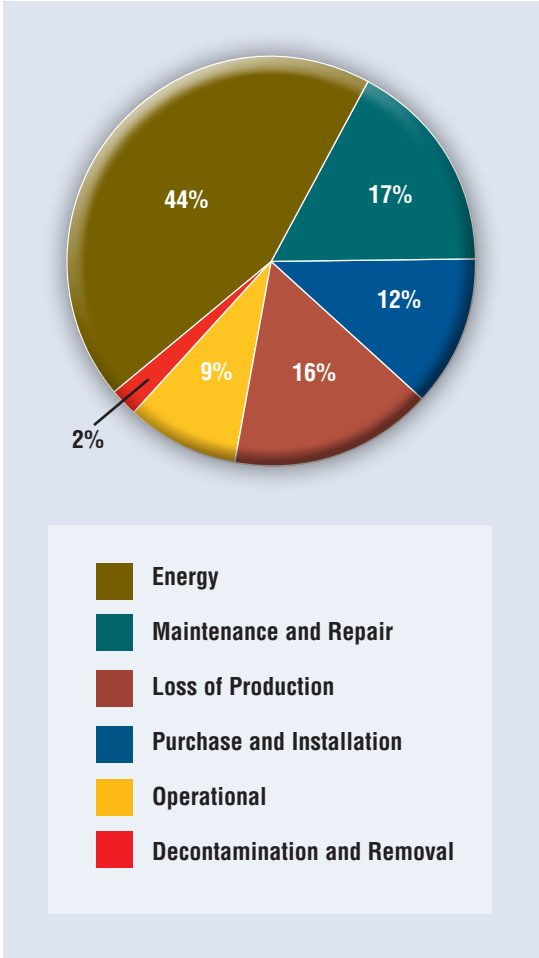
**Operating Expenses**

- Energy consumption
- Maintenance
- Production losses
- Environmental
- Inventory
- Operating
- Removal

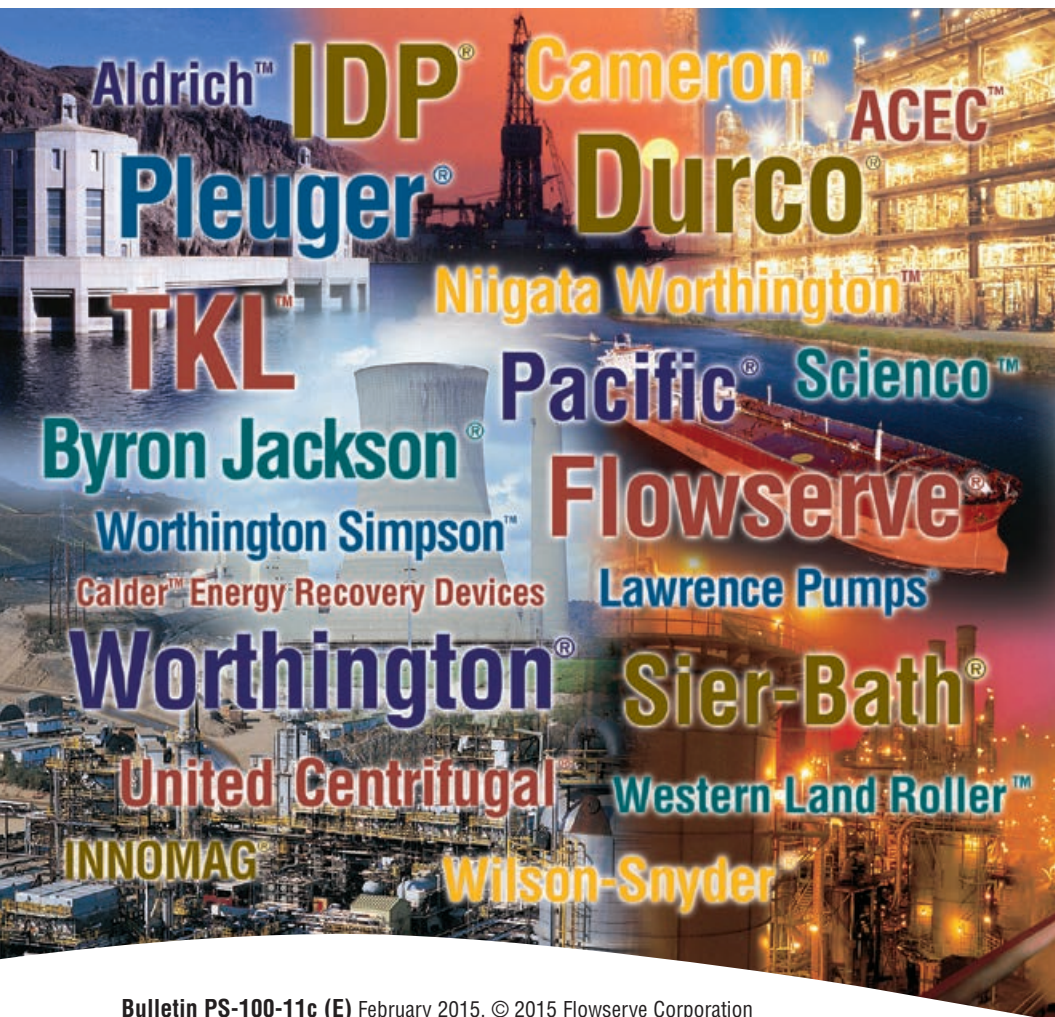
**Innovative Life Cycle Cost Solutions**

- New Pump Selection
- Turnkey Engineering and Field Service
- Energy Management
- Pump Availability
- Proactive Maintenance
- Inventory Management

### Typical Pump Life Cycle Costs<sup>1</sup>



<sup>1</sup> While exact values may differ, these percentages are consistent with those published by leading pump manufacturers and end users, as well as industry associations and government agencies worldwide.



**USA and Canada**

Flowserve Corporation  
5215 North O'Connor Blvd.  
Suite 2300  
Irving, Texas 75039-5421 USA  
Telephone: +1 937 890 5839

**Europe, Middle East, Africa**

Flowserve Corporation  
Parallelweg 13  
4878 AH Etten-Leur  
The Netherlands  
Telephone: +31 76 502 8100

**Latin America**

Flowserve Corporation  
Martín Rodríguez 4460  
B1644CGN-Victoria-San Fernando  
Buenos Aires, Argentina  
Telephone: +54 11 4006 8700  
Telefax: +54 11 4714 1610

**Asia Pacific**

Flowserve Pte. Ltd.  
10 Tuas Loop  
Singapore 637345  
Telephone: +65 6771 0600  
Telefax: +65 6862 2329

Bulletin PS-100-11c (E) February 2015. © 2015 Flowserve Corporation

*To find your local Flowserve representative:*

For more information about Flowserve Corporation,  
visit [www.flowserve.com](http://www.flowserve.com) or call +1 937 890 5839.