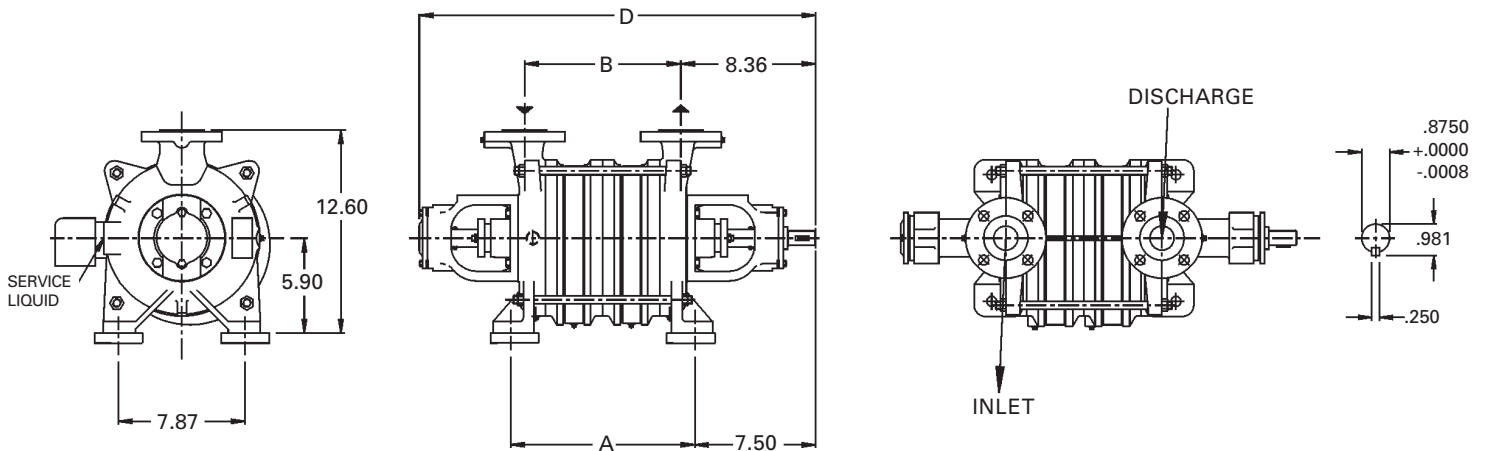


Dimensions (inches)

Pump Model	A	B	C	D
3704	11.45	9.71		24.61
3708	13.02	11.28		26.18

For connection sizes/ratings and motor sizes refer to engineering data table on reverse.



For baseplate mounting, please obtain factory certified dimensions.

Capacity Table

Pump Model - LPH 3704														
Speed (RPM)	20" Hg. 252 Torr		22.5" Hg. 188 Torr		25" Hg. 125 Torr		27.5" Hg. 61.5 Torr		28" Hg. 49 Torr		28.7" Hg. 31 Torr		28.9" Hg. 25 Torr	
	acfm	HP	acfm	HP	acfm	HP	acfm	HP	acfm	HP	acfm	HP		
1750	36.5	3.7	41.5	3.7	42.0	3.7	32.5	3.7	28.5	3.8	20.0	3.8	17.0	3.8
1450	33.5	2.8	33.0	2.9	32.0	3.0	28.0	3.0	24.5	3.0	17.0	3.0	14.0	3.0
1150	25.0	2.2	25.0	2.3	25.0	2.4	20.5	2.4	18.0	2.4				

Pump Model - LPH 3708														
Speed (RPM)	acfm	HP	acfm	HP	acfm	HP	acfm	HP	acfm	HP	acfm	HP		
	1750	70.0	5.4	75.0	5.4	74.0	5.0	62.0	4.9	55.0	4.9	41.0	4.8	30.0
1450	60.0	4.1	64.0	4.2	63.0	4.2	56.5	3.9	51.0	3.8	37.5	3.7	30.0	3.7
1150	44.0	3.3	44.0	3.4	44.0	3.4	43.0	3.3	40.0	3.3				

This data represents average values for pumps in standard materials. Derate capacity of stainless steel pumps by 10%. Capacity in cubic feet per minute at 68°F (20°C) using 60°F (16°C) water as a service liquid. Vacuum in inches Hg. Barometric pressure at seal level 29.92" Hg Abs. (760 Torr).

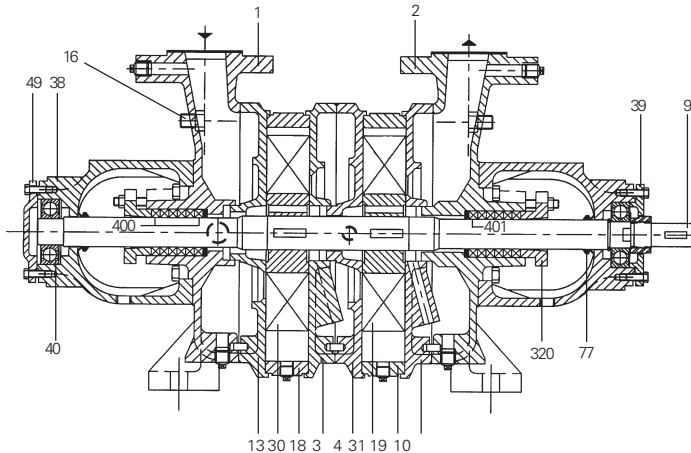
All performance data per HEI standards; subject to SIHI standard tolerances.

ENGINEERING DATA

PUMP MODEL	3704	3708
Gas Conn. Size/Rating (U)	1½"/150 RF	1½"/150 RF
Service Liq. Line Size/Rating (U _B)	½"/NPT	½"/NPT
Cont. Drain Size/Rating (U _{se})	N/A	N/A
Motor (@ 1750 rpm) HP	5.0	7.5
Bare Pump Wt. (lb)	130	140
4 Direct Dr. Basemount (lb)	309	367
5 Min. V-Belt Sheave Dia.	6.3"	N/A
Separator Model - XBA	1340	1340
Separator Size - Recirc. (Gal.)	24	24
1/2 Norm. Max. Gas Temp. (°F)	248	248
2 Max. Service Liq. Temp. (°F)	212	212
3 Sound Level @ 27.5" HgV (dBA)	66	66
Moment of Inertia Wr ² (lb. ft ²)	2.85	4.27
Casing Max. Working Pressure (psi)	30	30
Pneumatic Test Pressure (psig)	15	15

1. Max. gas temperature with saturated gases.
2. Higher temperatures possible on request.
3. At 3 ft., 1750 RPM w/o motor (not certified).
4. Basemount includes pump, motor, coupling, guard, and base.
5. Special pump bearings required for V-Belt applications.

SECTIONAL



Standard rotation 'AB' (clockwise) viewed from driven end. 'AL' (counter clockwise) upon request.

PARTS LIST

1. Suction Cover	13. Intermediate	38. Bearing Housing	400. Packing
2. Discharge Cover	16. Tie Bolt Assembly	39. Bearing Retainer	401. Neck Ring
3. Intermediate	18. Centerbody	40. Ball Bearing	
4. Intermediate	19. Centerbody	49. Bearing Cover	
9. Shaft	30. Impeller	77. Splash Ring	
10. Intermediate	31. Impeller	320. Gland	

MATERIALS

ITEM	0E	4B
Casing-Wetted	Cast Iron	316 SS
Intermediates	Cast Iron	316 SS
Impeller(s)	316 SS	316 SS
Shaft	420 SS QT	316 SS
Shaft Sleeves	N/A	N/A
Shaft Sealing	ADB ⁶	ADB ⁶
Casing-Non Wetted	Cast Iron	Cast Iron

⁶ADB = single o-ring pusher seal with viton o-rings, carbon vs. SiC faces

SERVICE LIQUID RATES (USGPM)

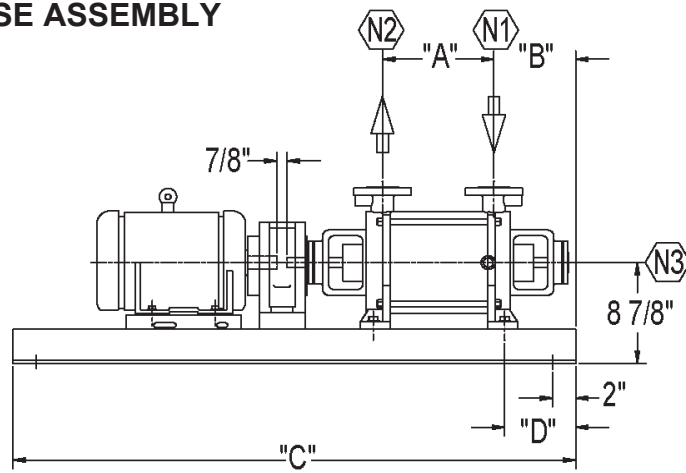
PUMP MODEL-LPH 3704															
Pump Speed	20" Hg. 252 Torr			25" Hg. 125 Torr			28" Hg. 49 Torr			28.7" Hg. 31 Torr			28.9" Hg. 25 Torr		
	A	B	C	A	B	C	A	B	C	A	B	C	A	B	C
1750		1.2	0.8		1.3	0.8		1.4	0.8		1.4	0.8		1.4	0.8
1450	3.7	1.0	0.6	4.4	1.1	0.7	4.9	1.2	0.7	5.0	1.2	0.7	5.0	1.2	0.7
1150		0.9	0.5		1.0	0.5		1.0	0.5						

PUMP MODEL-LPH 3708															
Pump Speed	20" Hg. 252 Torr			25" Hg. 125 Torr			28" Hg. 49 Torr			28.7" Hg. 31 Torr			28.9" Hg. 25 Torr		
	A	B	C	A	B	C	A	B	C	A	B	C	A	B	C
1750		1.7	1.1		1.7	1.0		1.8	1.0		1.7	1.0		1.7	1.0
1450	4.7	1.4	0.9	5.5	1.5	0.9	6.0	1.5	0.8	6.0	1.4	0.8	6.0	1.4	0.8
1150		1.2	0.7		1.3	0.7		1.3	0.8						

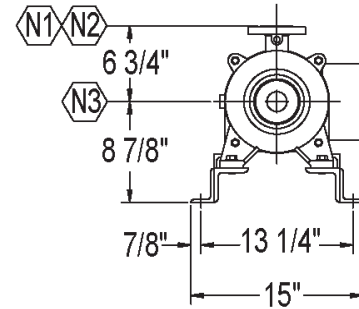
Column 'A' is the flow in USGPM required - once through.
 Column 'B' is the make-up flow required when make-up water is 5°C (9°F) cooler than service water.
 Column 'C' is the make-up flow when make-up water is 10°C (18°F) cooler than service water.

Note: The service liquid supply pressure may vary with pump speed and vacuum level. Please consult factory engineering department for additional information.

BASE ASSEMBLY



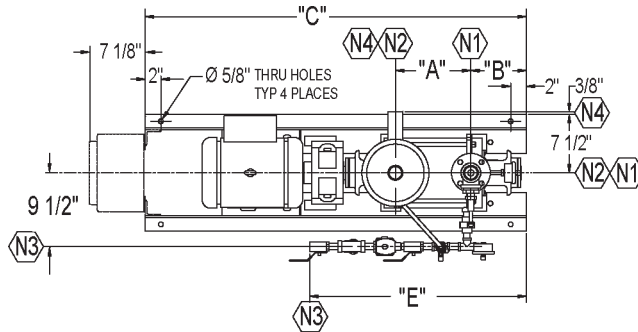
Nozzle Schedule				
Nozzle	Size	Qty.	Description	Service
N1	1-1/2"	1	FNPT	Suction
N2	1-1/2"	1	MNPT	Vent
N3	1/2"	1	FNPT	Service Liquid



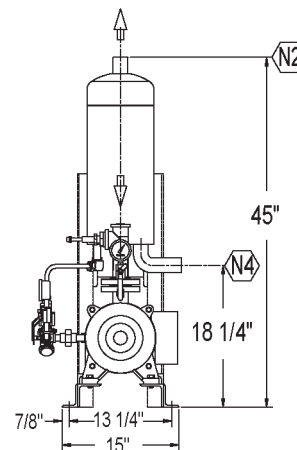
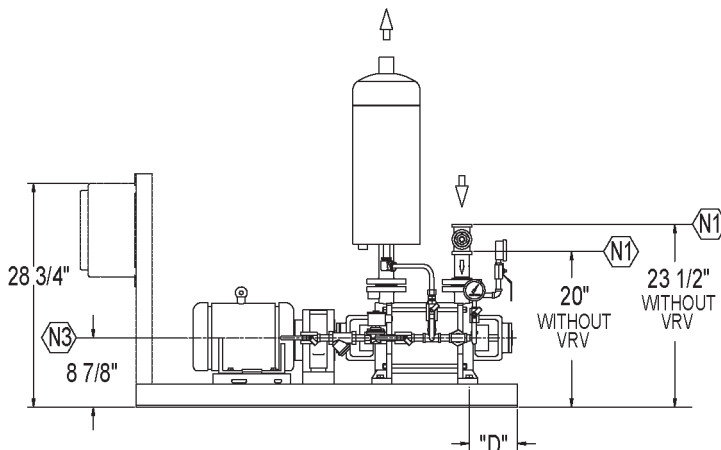
SIHI Pump Model No.	Motor HP/RPM	Motor Frame Size	Baseplate	Approx Shipping Weight	A	B	C	D
LPHR 3704	5 / 1750	184T F2	B2208-36	329	9 3/4"	7-1/8"	49"	6-1/8"
LPHR 3708	7-1/2 / 1750	213T F2	B2208-38	391	11 1/4"	5-1/2"	49"	4-5/8"

Dimensions subject to change, consult factory for certified drawing if required.

XBAR STANDARD PACKAGE



Nozzle Schedule				
Nozzle	Size	Qty.	Description	Service
N1	1-1/2"	1	FNPT	Suction
N2	1-1/2"	1	MNPT	Vent
N3	1/2"	1	FNPT	Service Liquid
N4	1-1/2"	1	MNPT	Overflow

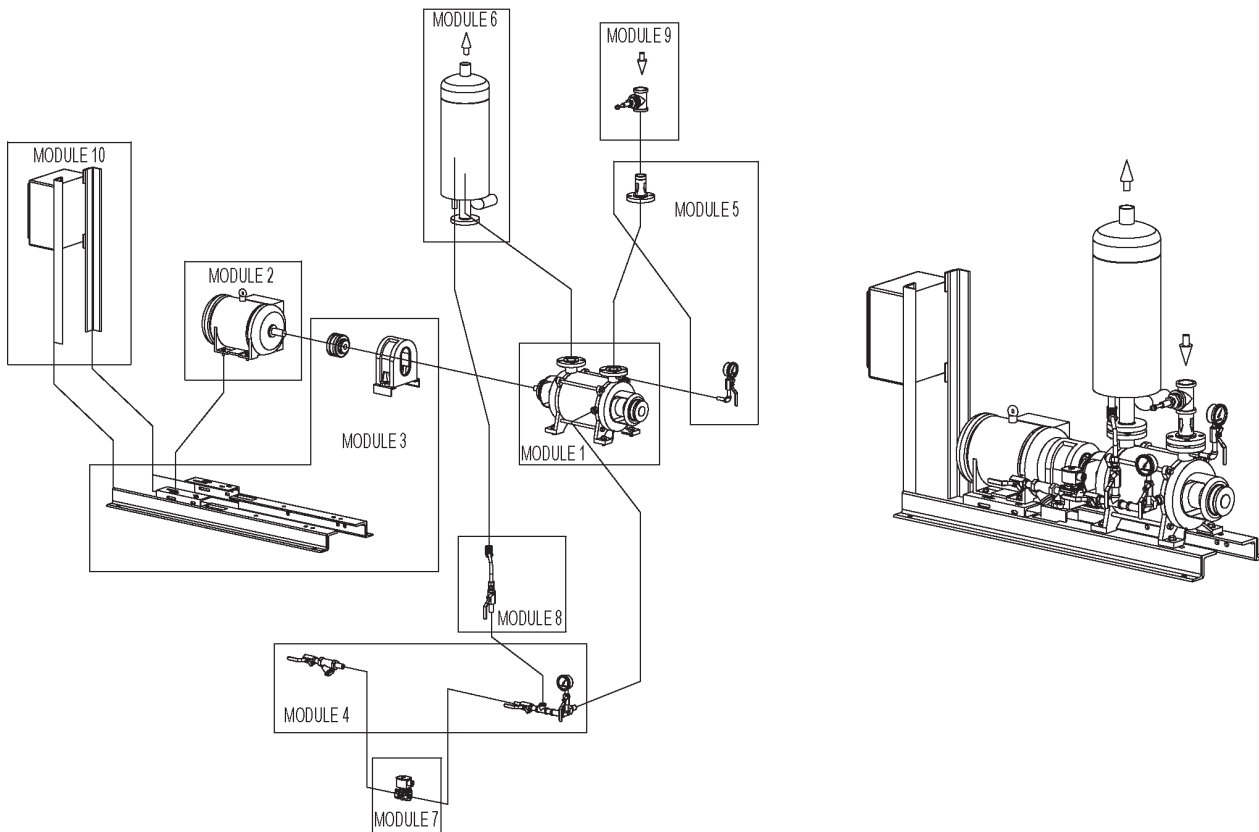


System Model No.	Motor HP/RPM	Motor Frame Size	Xba Tank Model No.	Baseplate	Approx Shipping Weight	A	B	C	D	E
XBAR 3704	5 / 1750	184T F2	1340	B2208-36	436	9 3/4"	7-1/8"	49"	6-1/8"	29-1/2"
XBAR 3708	7-1/2 / 1750	213T F2	1340	B2208-38	498	11 1/4"	5-1/2"	49"	4-5/8"	28-3/4"

Dimensions subject to change, consult factory for certified drawing if required.

All data subject to change without notice.

XBAR STANDARD PACKAGE MODULAR CONSTRUCTION



Pump Series:		3700 Series			
Module	Description	Details	Module Standard Construction Options		
Module 1	Pump	Material	0A	0E	4B
Module 2	Motor	HP	5.0		7.5
		RPM	1750		
		Enclosure	TEFC		EXPF
		Voltage	208-230/460	575	115/230
		Phase	3	3	1
Module 3	Base Assembly	Base / Coupling / Guard	Rail Base & Flex Coupling & Guard to OSHA Guidelines		
Module 4	Service Liquid Line (less solenoid valve)	Valve / Piping	Bronze / CS	CS / CS	Stainless / Stainless
Module 5	Inlet Vacuum Line	Valve / Piping	Bronze / CS	CS / CS	Stainless / Stainless
Module 6	Discharge	Separator / Piping	CS / CS		Stainless / Stainless
Module 7	Solenoid Valve	Enclosure	NEMA 4		NEMA 7
		Voltage	24VDC	120V/60Hz	110V/50Hz
		Material	Bronze		Stainless Steel
Module 8	Recirculation Line	Valve / Tubing	Bronze / Bronze	CS / CS	Stainless / Stainless
Module 9	Vacuum Relief Valve	Material	Bronze	Iron	Stainless Steel
Module 10	Control Panel	Enclosure	NEMA 4		NEMA 7
		Voltage	230	460	575