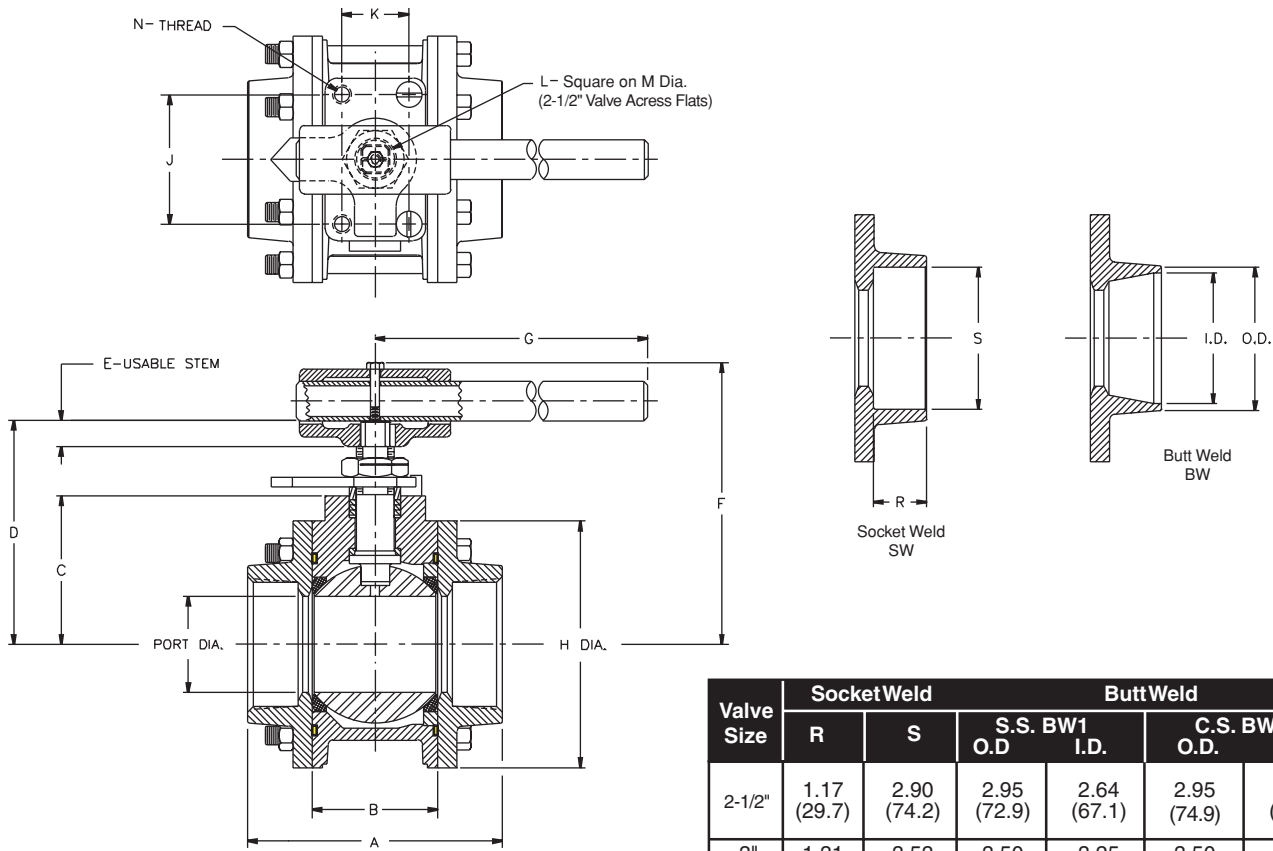


2-1/2" - 6" Series 45 Ball Valve



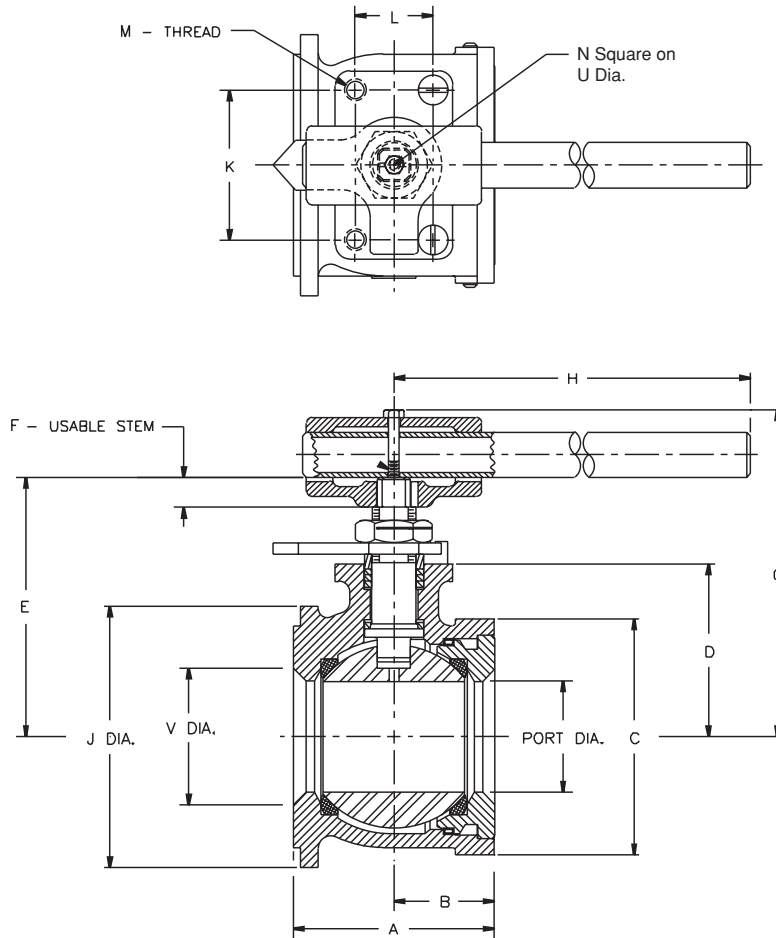
Valve Size	Socket Weld		Butt Weld			
	R	S	S.S. BW1 O.D.	I.D.	C.S. BW4 O.D.	I.D.
2-1/2"	1.17 (29.7)	2.90 (74.2)	2.95 (72.9)	2.64 (67.1)	2.95 (74.9)	2.47 (63.2)
3"	1.31 (33.3)	3.53 (89.6)	3.50 (89.6)	3.25 (82.5)	3.50 (88.9)	3.07 (77.9)
4"	1.56 (39.6)	4.53 (115.0)	4.50 (114.3)	4.26 (108.2)	4.50 (114.3)	4.03 (102.0)
6"	2.00 (50.8)	6.65 (168.9)	6.63 (168.3)	6.36 (161.5)	6.63 (168.3)	6.07 (154.3)

Valve Size	A	B	C	D	E	F	G	H	J	K	L	M	N	Port	Weight Lbs. (kg)
2-1/2"	5.86 (149)	2.86 (72.6)	2.92 (74.1)	4.56 (11.6)	0.66 (16.8)	5.58 (142)	8.82 (224)	5.84 (148)	2.75 (69.8)	1.25 (31.8)	0.55 (14.0)	-	M8	2.02 (50.3)	21.0 (9.53)
3"	6.66 (169)	3.28 (83.3)	3.88 (98.6)	5.69 (145)	0.65 (16.5)	7.22 (183)	22.00 (558)	6.44 (164)	3.38 (85.9)	1.75 (44.5)	0.745 (18.9)	.88 (22.4)	M10	2.50 (63.5)	30.0 (13.56)
4"	8.41 (214)	4.28 (109)	4.48 (114)	6.31 (160)	0.65 (16.5)	7.84 (199)	22.00 (558)	8.12 (206)	3.38 (85.9)	1.75 (44.5)	0.745 (18.9)	.88 (22.4)	M10	3.25 (82.5)	50.2 (22.7)
6"	11.75 (298)	5.75 (146)	6.19 (157)	8.96 (228)	1.03 (26.1)	11.21 (285)	26.00 (660)	11.12 (282)	4.00 (102)	3.00 (76.2)	1.12 (28.5)	1.385 (35.2)	M12	4.38 (111)	80.1 (36.33)

Dimensions are for layout only. For tolerances, contact Worcester Controls. Metric dimensions are converted from standard English.

# ENGINEERING DATA AND VALVE DIMENSIONS

## 3" - 6" Series 151/301 Wafer Ball Valves



Valve Size	A	B	C	D	E	F	G	H	J
3"	4.50 (114)	2.25 (57.1)	5.31 (134)	3.88 (98.6)	5.69 (145)	.65 (16.5)	7.22 (183)	22.00 (558)	5.88 (149)
4"	5.81 (147)	2.90 (73.6)	6.81 (172)	4.48 (113)	6.31 (160)	.65 (16.5)	7.84 (199)	22.00 (558)	7.50 (190)
6"	7.38 (187)	3.68 (93.4)	8.69 (220)	6.19 (157)	8.96 (228)	1.03 (26.1)	11.21 (285)	26.00 (660)	9.88 (250)

Valve Size	K	L	M	N	U	V	Port	Valve Wt. Lbs.(Kg.)
3"	3.38 (85.9)	1.75 (44.5)	M 10	.745 (18.9)	.88 (22.4)	3.06 (77.7)	2.50 (63.5)	21 (9.5)
4"	3.38 (85.9)	1.75 (44.5)	M 10	.745 (18.9)	.88 (22.4)	4.03 (102)	3.25 (82.5)	34 (15.4)
6"	4.00 (102)	3.00 (76.2)	M 12	1.120 (28.5)	1.385 (35.2)	5.25 (133)	4.38 (111)	64 (29.0)

Dimensions are for layout purposes only. for tolerances, contact Worcester Controls. Metric dimensions are converted from standard english.