



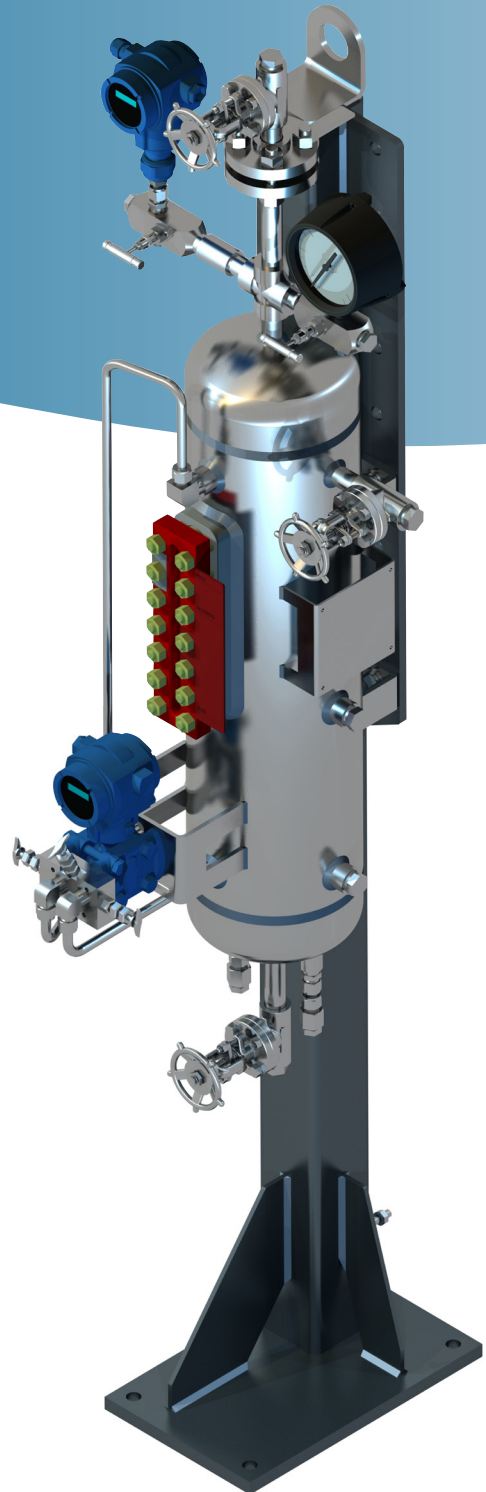
# W9 Series API 682-Compliant Seal Reservoir

*Designed for piping plans 52 and 53A, the W9 Series buffer/barrier fluid reservoir provides an ideal supply of clean, cool and reliable working fluid to maximize dual mechanical seal life and reliability.*

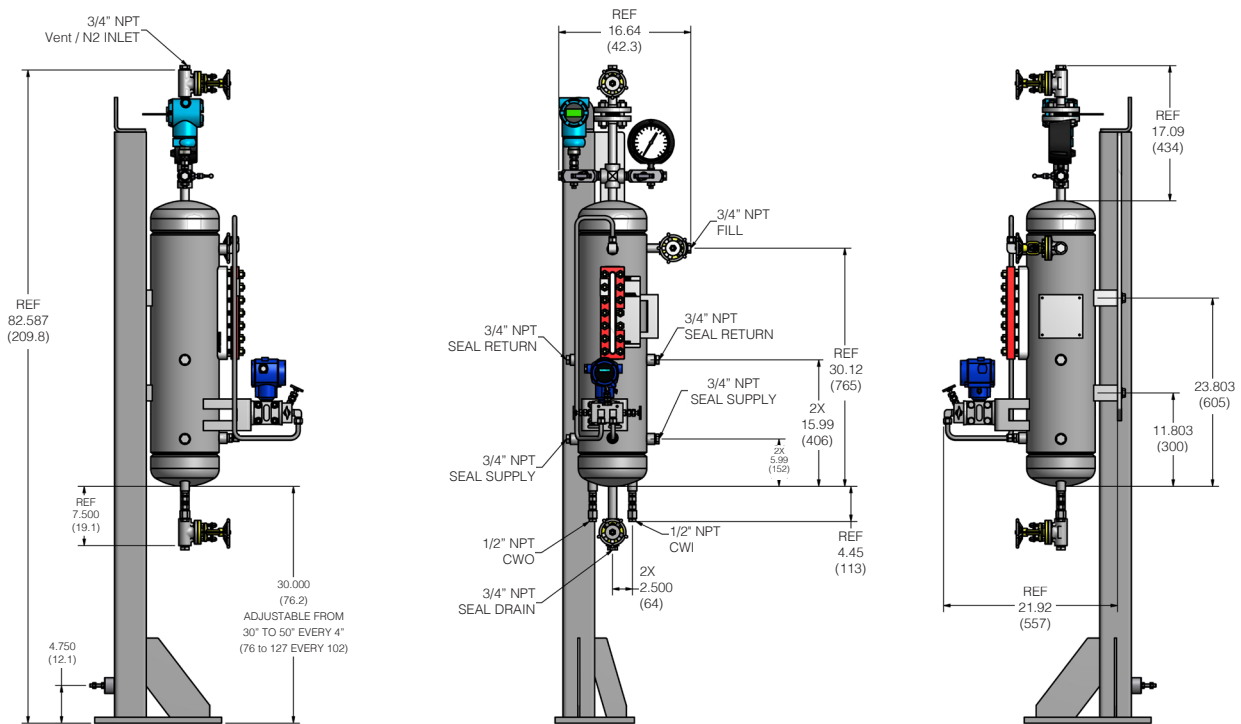
The Flowserve W9 Series is compliant with API 682 4<sup>th</sup> Edition and designed to provide the quickest delivery and most competitive pricing while offering a wide range of popular instrumentation options. Pre-configured options include pressure transmitter and indicator, level transmitter and indicator, connection type and stands.

## Features and benefits

- Covers a wide operating range with MAWP of up to 70 bar at -40°C to 204°C (1,020 psi @ -40°F to 400°F)
- Ambidextrous seal connections for versatile piping connections and mounting locations
- Available with NPT, socket weld and butt weld connection options for easy installation to preferred piping
- Standard five-gallon size provides larger refill interval
- Ready for simplified mounting on a standard square tube or I-beam stand, or choose a pre-configured stand
- Designed in accordance with ASME VIII, Div 1 and PED
- U Stamp available
- Cooling coil included as standard in 316 SS material covers a wide variety of services



## Reference dimensions



Part Code										Description
W	9	0	5	6	Y	0	0	0	0	Base tank with NPT connections
W	9	1	5	6	Y	0	0	0	0	Plan 52/53A design with NPT connections
W	9	1	5	6	Y	0	0	0	1	Plan 52/53A design with class 300 flanged SW connections
W	9	1	5	6	Y	0	0	0	2	Plan 52/53A design with class 300 flanged BW connections
W	9	1	5	6	Y	0	0	0	3	Plan 52/53A design with class 600 flanged SW connections
W	9	1	5	6	Y	0	0	0	4	Plan 52/53A design with class 600 flanged BW connections
-	-	-	-	-	-	1	-	-	-	Pressure indicator 4.5 in dial with range of 0 to 35 psig
-	-	-	-	-	-	02-04	-	-	-	Pressure indicator 4.5 in dial with optional ranges of 0 to 100, 0 to 200 and 0 to 300 psig
-	-	-	-	-	-	-	1	-	-	Pressure transmitter (4-20mA HART)
-	-	-	-	-	-	-	2	-	-	Pressure transmitter (Foundation Fieldbus)
-	-	-	-	-	-	-	-	1	-	Level transmitter (4-20mA HART)
-	-	-	-	-	-	-	-	2	-	Level transmitter (Foundation Fieldbus)
-	-	-	-	-	-	-	-	-	S1	Adjustable square tube stand
-	-	-	-	-	-	-	-	-	S2	Adjustable C-Channel stand
-	V	-	-	-	-	-	-	-	-	ASME U stamp

SSFLY000272-02 (EN/A4) November 2020

### Headquarters

Flowserve Corporation  
5215 North O'Connor Blvd.  
Suite 2300  
Irving, Texas 75039-5421 USA  
Telephone: +1 937 890 5839

### USA and Canada

Kalamazoo, Michigan USA  
Telephone: +1 269 381 2650

### Europe, Middle East, Africa

Etten-Leur, The Netherlands  
Telephone: +31 765 028 200

### Asia Pacific

Singapore  
Telephone: +65 6544 6800

### Latin America

Mexico City  
Telephone: +52 55 5567 7170

Flowserve Corporation has established industry leadership in the design and manufacture of its products. When properly selected, this Flowserve product is designed to perform its intended function safely during its useful life. However, the purchaser or user of Flowserve products should be aware that Flowserve products might be used in numerous applications under a wide variety of industrial service conditions. Although Flowserve can provide general guidelines, it cannot provide specific data and warnings for all possible applications. The purchaser/user must therefore assume the ultimate responsibility for the proper sizing and selection, installation, operation, and maintenance of Flowserve products. The purchaser/user should read and understand the Installation Instructions included with the product, and train its employees and contractors in the safe use of Flowserve products in connection with the specific application.

While the information and specifications contained in this literature are believed to be accurate, they are supplied for informative purposes only and should not be considered certified or as a guarantee of satisfactory results by reliance thereon. Nothing contained herein is to be construed as a warranty or guarantee, express or implied, regarding any matter with respect to this product. Because Flowserve is continually improving and upgrading its product design, the specifications, dimensions and information contained herein are subject to change without notice. Should any question arise concerning these provisions, the purchaser/user should contact Flowserve Corporation at any one of its worldwide operations or offices.

©2020 Flowserve Corporation. All rights reserved. This document contains registered and unregistered trademarks of Flowserve Corporation. Other company, product, or service names may be trademarks or service marks of their respective companies.