

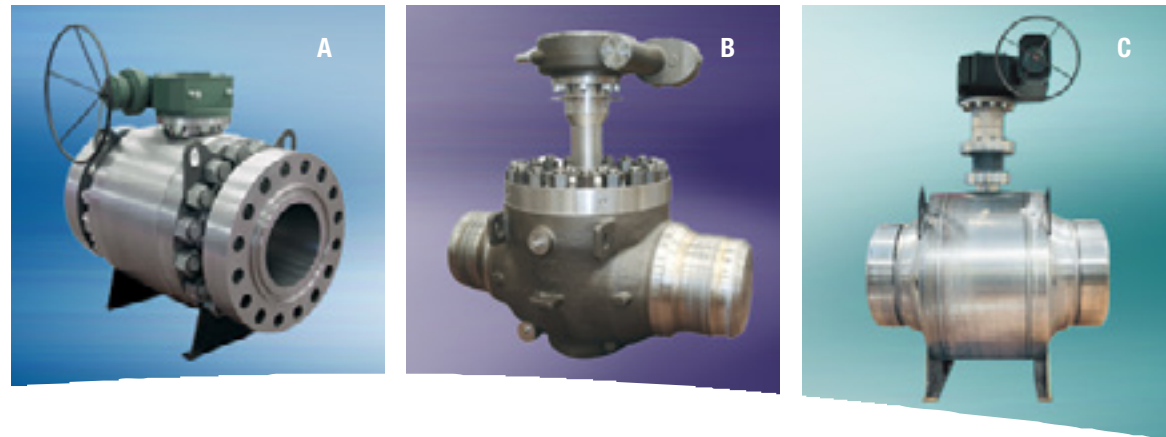


# *Valbart Trunnion Mounted Ball Valves API 6D & 6A*



*Experience In Motion*

- A. Side-Entry Mod. Vb2 And Vb3
- B. Top-Entry Mod. Vt1
- C. Welded Body Mod. Vw1



- 1. Cryogenic testing on a Side Entry Actuated Ball Valve.
- 2. 34 inch Class 1500 Top Entry Ball Valve.
- 3. Main gas line with bypass valves.

## Trunnion Mounted Ball Valves API 6D & 6A

### API 6A

SIZE (in/mm) - PRESSURE RANGE			
API 2000-3000	API 5000	API 10000	API 15000
1-36	1-36	1-24	1-12
25-900	25-900	25-600	25-400

### API 6D

SIZE (in/mm) - PRESSURE RANGE			
ASME 150-600	ASME 900	ASME 1500	ASME 2500
1-64	1-56	1-40	1-32
25-1600	25-1400	25-1000	26-800

### STANDARD MATERIALS LIST

BODY	BALL	STEM	SEAT INSERT	BOLTS/NUTS
A105N	LF2, F6	F6A	Nylon	B7/2H
LF2	F304	AISI 410	Viton	L7/Gr.7
F304	F316	F304	Nylon 6	B8M/Gr. 8M
F316	Duplex	F316	PTFE	F51
Duplex	Incoloy	Gr.630	PCTFE	Other
Incoloy	Monel	Duplex	Other	
Monel	Special	Incoloy		
Special		Monel		
		Special		

### Actuation

Hand operated valves are supplied either with lever or gear operator.

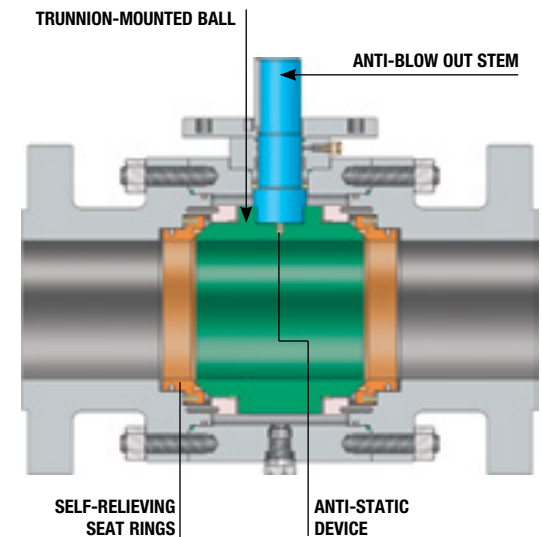
Gear box is used for valve sizes from:

- 2" (50 mm) Class 2500
- 3" (80 mm) Class 1500
- 4" (100 mm) Class 600
- 6" (150 mm) Class 150 & 300

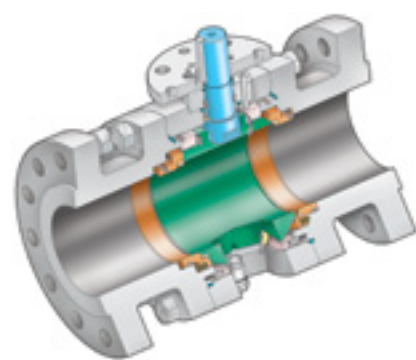
Actuated valves supplied with: Electric, Pneumatic, Hydraulic, Gas over Oil Actuators.

### Services

- Standard Application
- Low Temperature -46°C
- Cryogenic down to -196°C
- Sub-Sea
- Underground
- Off-Shore
- High Temperature
- Oil & Gas Transportation
- Gas Compressor Station
- Liquefied Natural Gas Handling and Transportation

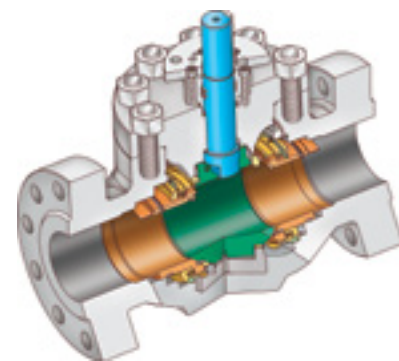


- SELF-ALIGNING BALL, STEM & SEATS
- ZERO EMISSION VALVES
- SOFT/METAL SEATING
- DOUBLE BLOCK & BLEED



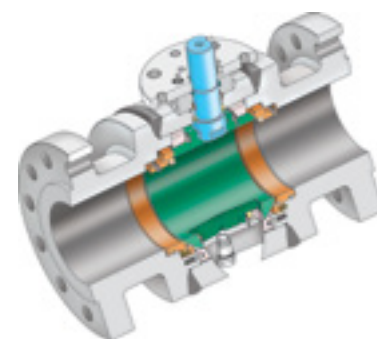
#### SIDE ENTRY

The Side-Entry design is the most popular.



#### TOP ENTRY

Top-Entry design for easy in-line maintenance.



#### WELDED BODY

No leak path through the body.





FCD VBEEBR1009-02 Printed in France

For more information about Flowserve Corporation,  
visit [www.flowserve.com](http://www.flowserve.com) or call USA 1 800 225 6989

Due to continuous development of our product range, we reserve the right to alter the dimensions and information contained in this leaflet as required. Information given in this leaflet is made in good faith and based upon specific testing but does not, however, constitute a guarantee.

**Italy**

Flowserve Valbart SRL  
Via delle Industrie, 9/5 - 20883  
Mezzago (MB) ITALY  
Telephone: +39 039 624111  
Fax: +39 039 6241178  
E-mail: [valbart\\_sales@flowserve.com](mailto:valbart_sales@flowserve.com)

(Mezzago facility pictured left)

**USA**

Flowserve Valbart - Americas  
14215 Westfair West  
Houston, TX 77041 USA  
Telephone: +1 281 671 1025  
Fax: +1 281 671 1609  
E-mail: [valbartsalesna@flowserve.com](mailto:valbartsalesna@flowserve.com)

**USA**

Flowserve Sulphur Springs Operation  
1511 Jefferson Street  
Sulphur Springs, TX 75482  
E-mail: [valbartsalesna@flowserve.com](mailto:valbartsalesna@flowserve.com)