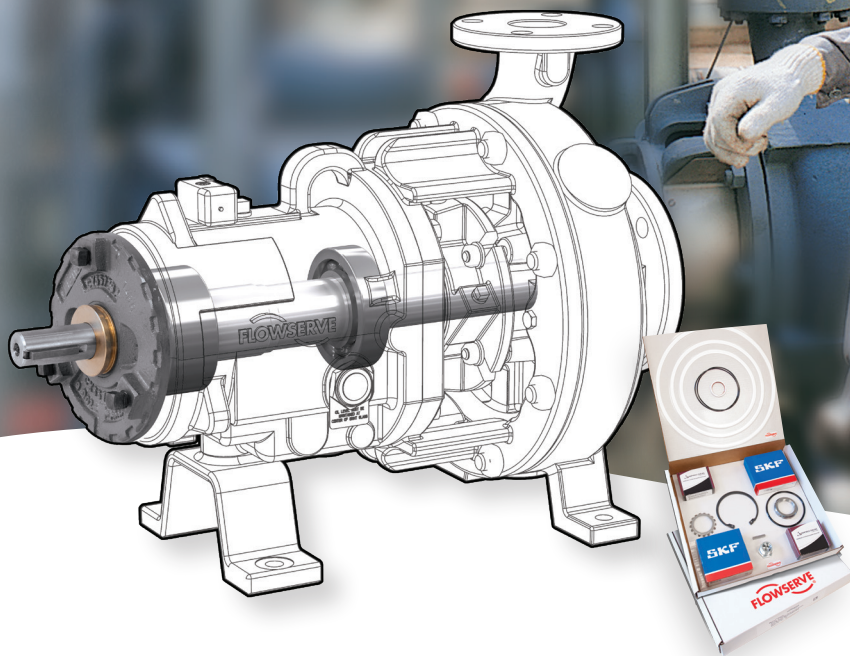




Durco, Mark 3 ANSI Pump Maintenance Packs

OEM Replacement Parts and Cartridge Kits



Experience In Motion

Durco, Mark 3 ANSI Pump, Maintenance Packs A and B

Everything You Need in One Box

Each Durco Mark 3 ANSI Maintenance Pack contains all parts needed in one box for typical maintenance and even upgrades to your Mark 3 ANSI pump for maximum performance, reliability and extended mean time between repair (MTBR).

These conveniently packaged Flowserve packs contain OEM quality and inspected parts that are correctly fitted for your pump and each provide:

- **Simplicity:** Each pack contains all needed parts for typical pump maintenance. No multiple parts, part numbers, stockroom locations, or potential of incorrect parts for the job.
- **Economy:** Since everything is in one box, there is only one part number to stock and track. Inventory levels, part numbers, stockroom locations, associated costs, and administrative burden are all instantly reduced.
- **Reliability:** It's all about increasing uptime. Durco Maintenance Packs make it easy to restore your Mark 3 pumps to optimal operating condition with OEM quality parts.



Durco pump maintenance packs are convenient replacement parts kits for routine power end repair.

Flowserve Exclusive Bearing Gard Bearing Isolators

Bearing Gard protection technology delivers reliable isolation from contamination to keep bearings running cleaner longer.

Pack part numbers containing the BBV extension include Bearing Gard bearing isolators.



Pump Pack A

Includes: gaskets, bearing carrier & adapter O-rings, and bearing isolators (or lip seals).

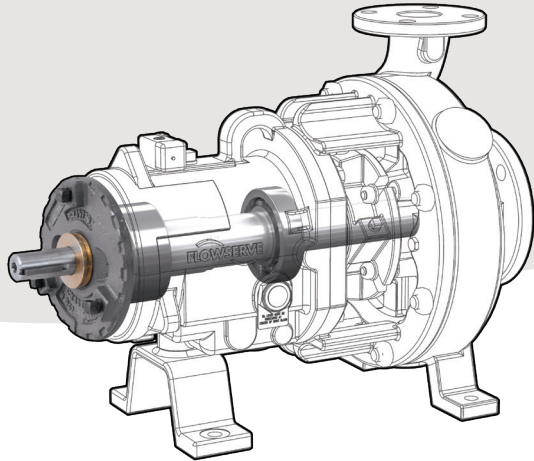
Part Number	Mark 3 ANSI Maintenance Pack A Kits
M3GP1KMK-BBV	GROUP 1K with FLS Bearing Gard Isolators
M3GP1KMK-BZV	GROUP 1K with INPRO Isolators
M3GP1KMK-TSSR	GROUP 1K with Lip Seals
M3GP2KMK-BBV	GROUP 2K with FLS Bearing Gard Isolators
M3GP2KMK-BZV	GROUP 2K with INPRO Isolators
M3GP2KMK-TSSR	GROUP 2K with Lip Seals
M3GP3KMK-BBV	GROUP 3K with FLS Bearing Gard Isolators
M3GP3KMK-BZV	GROUP 3K with INPRO Isolators
M3GP3KMK-TSSR	GROUP 3K with Lip Seals

Pump Pack B

Includes: gaskets, bearing carrier & adapter O-rings, isolators (or lip seals), bearings, locking hardware, retaining, ring, shaft key, and sight glass.

Part Number	Mark 3 ANSI Maintenance Pack B Kits
M3GP1KRK-BBV	GROUP 1K with FLS Bearing Gard Isolators
M3GP1KRK-BZV	GROUP 1K with INPRO Isolators
M3GP1KRK-TSSR	GROUP 1K with Lip Seals
M3GP2KRK-BBV	GROUP 2K with FLS Bearing Gard Isolators
M3GP2KRK-BZV	GROUP 2K with INPRO Isolators
M3GP2KRK-TSSR	GROUP 2K with Lip Seals
M3GP3KRK-BBV	GROUP 3K with FLS Bearing Gard Isolators
M3GP3KRK-BZV	GROUP 3K with INPRO Isolators
M3GP3KRK-TSSR	GROUP 3K with Lip Seals

Durco, Mark 3 ANSI Pump, Maintenance Pack C



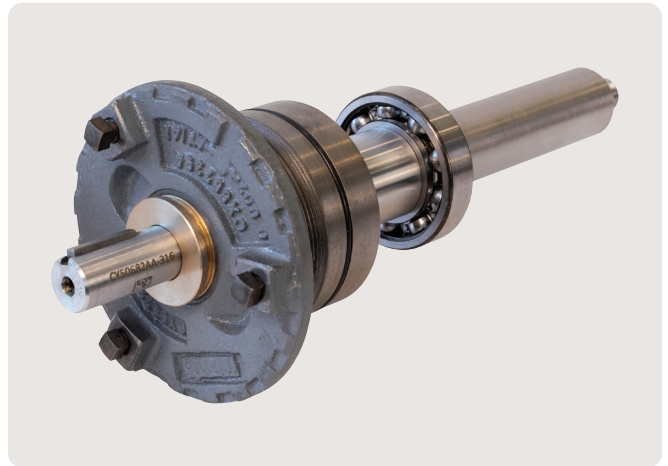
The shaft assembly is the backbone of your pump. It is the key to pump reliability. Now you can replace and even upgrade this vital component in less time than you ever thought possible with the Durco Pump Pack C replacement shaft cartridge.

This factory assembled shaft cartridge contains and replaces 15 separate parts. The kits also have offerings of Flowserve's exclusive Bearing Gard bearing isolators.

Pump Pack C

Includes: Shaft; bearings; locking hardware; bearing carrier; carrier O-rings; carrier screws; retaining ring; shaft key; bearing isolators (lip seals not offered)

BBV variants contain Flowserve Bearing Gard isolators



	Part Number	Mark 3 ANSI Shaft Cartridge Pack C
Group 1K Pumps	M3GP1KSC-BBV-ZH	GROUP 1K with FLS Bearing Gard Isolators & Friction Weld 316SS Shaft
	M3GP1KSC-BBV-316	GROUP 1K with FLS Bearing Gard Isolators & Solid 316SS Shaft
	M3GP1KSC-BBV-2205	GROUP 1K with FLS Bearing Gard Isolators & Solid 2205 Duplex SS Shaft
	M3GP1KSC-ZH	GROUP 1K with Inpro Isolators & Friction Weld 316SS Shaft
	M3GP1KSC-316	GROUP 1K with Inpro Isolators & Solid 316SS Shaft
	M3GP1KSC-2205	GROUP 1K with Inpro Isolators & Solid 2205 Duplex SS Shaft
Group 2K Pumps	M3GP2KSC-BBV-ZH	GROUP 2K with FLS Bearing Gard Isolators & Friction Weld 316SS Shaft
	M3GP2KSC-BBV-316	GROUP 2K with FLS Bearing Gard Isolators & Solid 316SS Shaft
	M3GP2KSC-BBV-2205	GROUP 2K with FLS Bearing Gard Isolators & Solid 2205 Duplex SS Shaft
	M3GP2KSC-ZH	GROUP 2K with Inpro Isolators & Friction Weld 316SS Shaft
	M3GP2KSC-316	GROUP 2K with Inpro Isolators & Solid 316SS Shaft
	M3GP2KSC-2205	GROUP 2K with Inpro Isolators & Solid 2205 Duplex SS Shaft



Group 3K Pumps	M3GP3KSC-BBV-ZH	GROUP 3K with FLS Bearing Gard Isolators & Friction Weld 316SS Shaft
	M3GP3KSC-BBV-316	GROUP 3K with FLS Bearing Gard Isolators & Solid 316SS Shaft
	M3GP3KSC-BBV-2205	GROUP 3K with FLS Bearing Gard Isolators & Solid 2205 Duplex SS Shaft
	M3GP3KSC-ZH	GROUP 3K with Inpro Isolators & Friction Weld 316SS Shaft
	M3GP3KSC-316	GROUP 3K with Inpro Isolators & Solid 316SS Shaft
	M3GP3KSC-2205	GROUP 3K with Inpro Isolators & Solid 2205 Duplex SS Shaft

Additional Products and Resources



Mark 3 ANSI Tool Kit

A Mark 3 Tool Kit is recommended to ease and simplify maintenance. This tool kit contains an impeller wrench that simplifies installation and removal of the impeller and nose cones to protect shaft threads and O-rings during maintenance.

Part Number	Mark 3 ANSI Tool Kit
AY50884A-BR	KIT DURCO PUMP REPAIR TOOL

Instructional maintenance video

Online video provides the viewer step-by-step instructions through disassembly, inspection, and reassembly of the Flowserve Durco Mark 3 ASME chemical process pump. This video can be accessed on a smart device from the QR code below or visiting <https://youtu.be/aL15EjVDiic>



Sales and Support

For more information or support for Mark 3 ANSI products please contact your local sales representative or visit www.Flowserve.com and select Support to find a sales contact in your area.

Flowserve Corporation
5215 North O'Connor Blvd.
Suite 700
Irving, Texas 75039-5421 USA

Flowserve Corporation has established industry leadership in the design and manufacture of its products. When properly selected, this Flowserve product is designed to perform its intended function safely during its useful life. However, the purchaser or user of Flowserve products should be aware that Flowserve products might be used in numerous applications under a wide variety of industrial service conditions. Although Flowserve can provide general guidelines, it cannot provide specific data and warnings for all possible applications. The purchaser/user must therefore assume the ultimate responsibility for the proper sizing and selection, installation, operation, and maintenance of Flowserve products. The purchaser/user should read and understand the Installation Instructions included with the product, and train its employees and contractors in the safe use of Flowserve products in connection with the specific application.

While the information and specifications contained in this literature are believed to be accurate, they are supplied for informative purposes only and should not be considered certified or as a guarantee of satisfactory results by reliance thereon. Nothing contained herein is to be construed as a warranty or guarantee, express or implied, regarding any matter with respect to this product. Because Flowserve is continually improving and upgrading its product design, the specifications, dimensions and information contained herein are subject to change without notice. Should any question arise concerning these provisions, the purchaser/user should contact Flowserve Corporation at any one of its worldwide operations or offices.

©2024 Flowserve Corporation. All rights reserved. This document contains registered and unregistered trademarks of Flowserve Corporation. Other company, product, or service names may be trademarks or service marks of their respective companies.

PUFLY001276-01 (EN/AQ) February 2024